

ARS301 Series

Manual Rotary Positioning Stage

360° rotation

Excellent thermal stability

Patented sub-arc-second resolution drive



The ARS301 stage is a precise rotary positioner featuring Aerotech's patented sub-arc-second resolution drive mechanism. By depressing the release plunger, the rotary ring of the ARS301 can be quickly positioned to the approximate desired angle. It can then be fine-tuned with either the coarse or fine adjustment knob over a range of 10 degrees or 30 minutes, respectively. The fine thimble has a 32-division reference scale for convenience in positioning. An engraved dial with a six-minute vernier is standard on

all tabletops. Due to the absence of any gearing in the ARS301's drive mechanism, the stage is backlash free.

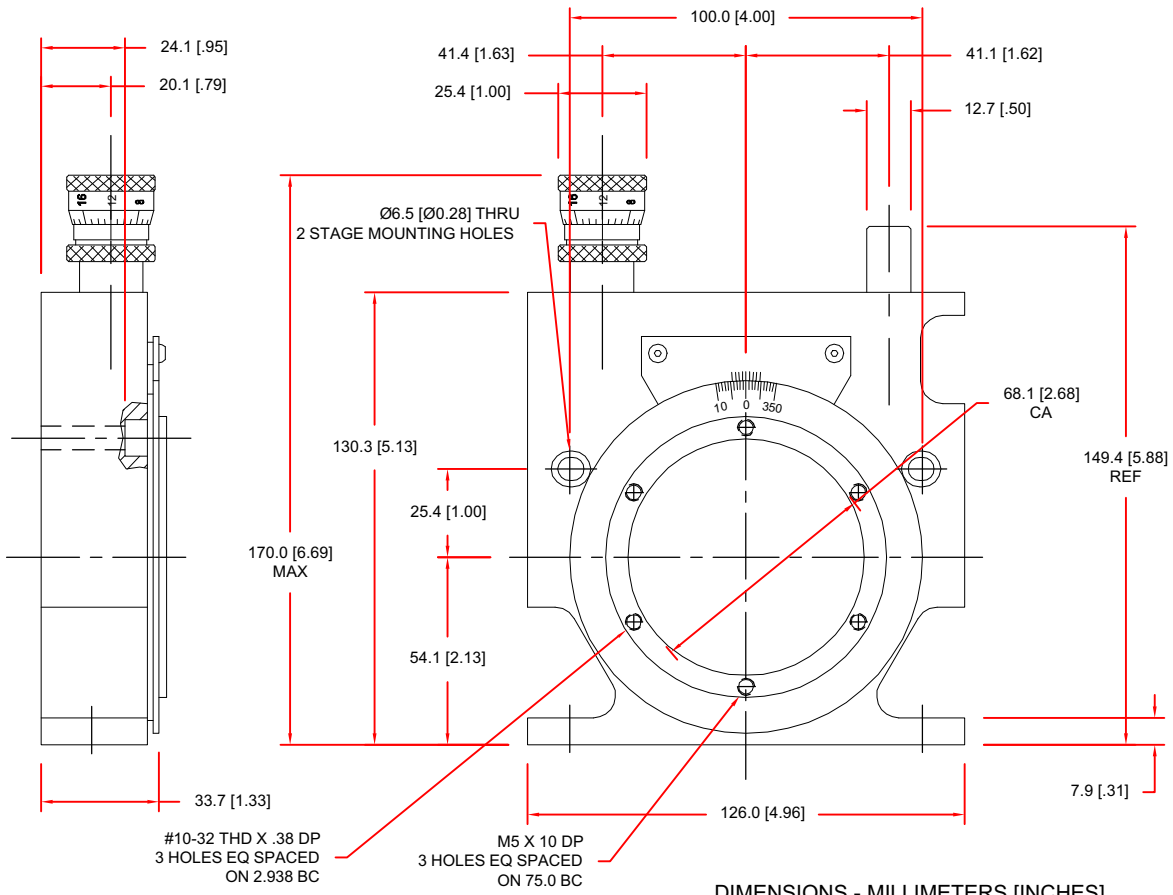
The ARS301 has a 68 mm (2.68 in) clear aperture. If a solid mounting surface is required, the ARS301TT is available. The ARS301TT has a grid of M6 mounting holes on 25 mm centers. The ARS301 is made of aluminum with a black anodized finish and weighs 1.36 kg (3 lb).

ARS301		
Thimble Graduation		2.54 arc-second
Max Load	Horizontal	11.36 kg (25 lb)
	Vertical	6.82 kg (15 lb)
360° Dial and 6 Minute Vernier		Standard
Clear Aperture		68.07 mm (2.68 in)

ARS Series Rotary

ARS301	Rotary positioning table with Aerotech patented differential screw drive and 68 mm (2.68 in) clear aperture
ARS301TT	Tabletop for ARS301 with metric hole pattern

ARS301 Series DIMENSIONS



DIMENSIONS - MILLIMETERS [INCHES]

