

# PRO190SL/SLE Series

## Mechanical Bearing, Ball-Screw Stage

High-performance in a cost-effective package

Rugged mechanical construction

Optional linear encoder

20 models with travels from 50 mm to 800 mm

Vacuum and cleanroom versions available

Available with built-in ThermoComp™ for high-performance in changing environments



*The PRO190SL-500 is one of 20 models in the PRO190SL/SLE series.*

The PRO190SL and PRO190SLE are the newest additions to Aerotech's second-generation PRO series stage designs. The PRO190SL/SLE is meant to bridge the gap between the PRO165SL/SLE and PRO225SL/SLE stages with larger bearings and considerable load capacity improvements over the PRO165SL/SLE, without the size of the PRO225SL/SLE. Like the rest of the PRO series stages, the PRO190SL and PRO190SLE are both ideal choices for medium and high-performance positioning applications.

### Rugged Mechanical Construction

A long-life recirculating linear guide bearing system and a low-friction sealing solution make the PRO190SL/SLE an attractive solution for industrial applications such as laser machining. The basic external construction of the PRO190SL/SLE design provides protection from debris while the side-seals prevent dirt and particulates from entering the stage. The curved hard-cover design provides a natural shape that prevents excessive debris from collecting on the stage.

### Linear Encoder Option

For applications requiring direct-metrology of the output carriage, the PRO190SLE integrates a direct linear encoder that is protected by the stage sealing system. Amplified sine, digital TTL output, and absolute encoders are available as standard options for linear feedback.

### Design and Integration Flexibility

The PRO190SL/SLE is designed with many standard features and options that make the design incredibly flexible and allow it to be easily tailored to a specific application. The PRO190SL/SLE is available in 20 different models with travels ranging from 50 mm to 800 mm and speeds up to 300 mm/s.

The base mounting holes are accessible from the outside of the stage allowing for easy mounting. Standard mounting holes for both English and metric optical tables are present in all travels. The tabletop is available with both English and metric mounting patterns and can be ordered with brush attachments to clear any debris that may collect on the stage hard cover. Tabletops with hole patterns that allow the direct attachment of Aerotech's ADRS, ACS-LP, ADRT, ACS, and AGR rotary stages are also available.

Aerotech BM or BMS series brushless servomotors are available with a variety of encoder options providing net resolutions ranging from 0.5  $\mu\text{m}$  down to sub-nm. A holding brake can be added to the motor for vertical applications. A motor fold-back kit is available for space-constrained applications to reduce the overall stage length.

The PRO190SL/SLE series is also available with cleanroom preparation and vacuum versions.

### Accurate Positioning with ThermoComp

Temperature changes and thermal effects are some of the largest error sources in precision machines, particularly in ball-screw-driven mechanics due to self-heating. All PRO series stages are available with Aerotech's ThermoComp feature, an embedded temperature compensation unit that guarantees accurate positioning not only in variable temperature environments, but during extended use of ball-screw-driven stages. Using ThermoComp protects your process from real-world positioning conditions even in extreme industrial settings.

# PRO190SL/SLE Series SPECIFICATIONS

Mechanical Specifications			PRO190SL/SLE									
Travel			50	100	150	200	250	300	400	500	600	800
Accuracy <sup>(1)</sup>	SL	Standard	±6 µm	±6 µm	±7 µm	±8 µm	±9 µm	±9.5 µm	±11 µm	±13 µm	±15 µm	±17 µm
		Calibrated	±1 µm	±1 µm	±1 µm	±1 µm	±1.5 µm	±1.5 µm	±1.5 µm	±2 µm	±2 µm	±2.5 µm
	SLE	Standard	±3 µm	±4 µm	±6 µm	±8 µm	±9 µm	±10 µm	±12 µm	±14 µm	±15.5 µm	±17 µm
		Calibrated	±1 µm	±1 µm	±1 µm	±1 µm	±1 µm	±1 µm	±1 µm	±1 µm	±1.5 µm	±1.5 µm
Resolution (Min. Incremental Motion)		SL	0.1 µm <sup>(2)</sup> ; 1.0 µm <sup>(3)</sup>									
		SLE	0.05 µm (-E1/-E3 Encoder); 0.2 µm (-E2 Encoder); 1.0 µm (-E4 Encoder)									
Bidirectional Repeatability <sup>(1)</sup>		SL	±1 µm	±1 µm	±1 µm	±1 µm	±1 µm	±1 µm	±1 µm	±1 µm	±1 µm	±1 µm
		SLE	±0.5 µm	±0.5 µm	±0.5 µm	±0.5 µm	±0.5 µm	±0.5 µm	±0.5 µm	±0.5 µm	±0.5 µm	±0.75 µm
Horizontal Straightness <sup>(1)</sup>			±1.5 µm	±2 µm	±2.5 µm	±2.5 µm	±3 µm	±3.5 µm	±4.5 µm	±5.5 µm	±6.5 µm	±8 µm
Vertical Straightness <sup>(1)</sup>			±1.5 µm	±2 µm	±2.5 µm	±2.5 µm	±3 µm	±3.5 µm	±4.5 µm	±5.5 µm	±6.5 µm	±8 µm
Pitch			19 µrad (3.9 arc sec)	27 µrad (5.6 arc sec)	29 µrad (6 arc sec)	40 µrad (8.2 arc sec)	45 µrad (9.3 arc sec)	50 µrad (10.3 arc sec)	60 µrad (12.4 arc sec)	70 µrad (14.4 arc sec)	80 µrad (16.5 arc sec)	90 µrad (18.6 arc sec)
Roll			19 µrad (3.9 arc sec)	27 µrad (5.6 arc sec)	29 µrad (6 arc sec)	40 µrad (8.2 arc sec)	45 µrad (9.3 arc sec)	50 µrad (10.3 arc sec)	60 µrad (12.4 arc sec)	70 µrad (14.4 arc sec)	80 µrad (16.5 arc sec)	90 µrad (18.6 arc sec)
Yaw			19 µrad (3.9 arc sec)	27 µrad (5.6 arc sec)	29 µrad (6 arc sec)	40 µrad (8.2 arc sec)	45 µrad (9.3 arc sec)	50 µrad (10.3 arc sec)	60 µrad (12.4 arc sec)	70 µrad (14.4 arc sec)	80 µrad (16.5 arc sec)	90 µrad (18.6 arc sec)
Maximum Speed <sup>(4)</sup>			300 mm/s									185 mm/s
Maximum Acceleration <sup>(4)</sup>			Function of Motor and Amplifier Selection									
Load Capacity <sup>(5)</sup>		Horizontal	60 kg									
		Vertical (Axial)	50 kg									
		Side	60 kg									
Moving Mass		SL	3.7 kg									
		SLE	3.9 kg									
Stage Mass (No Motor)		SL	10.2 kg	11.2 kg	12.0 kg	12.8 kg	13.7 kg	14.6 kg	16.3 kg	18.1 kg	19.9 kg	23.3 kg
		SLE	10.8 kg	11.7 kg	12.6 kg	13.6 kg	14.5 kg	15.4 kg	17.2 kg	19.1 kg	20.9 kg	24.6 kg
Material			Anodized Aluminum									
MTBF (Mean Time Between Failure)			20,000 Hours									

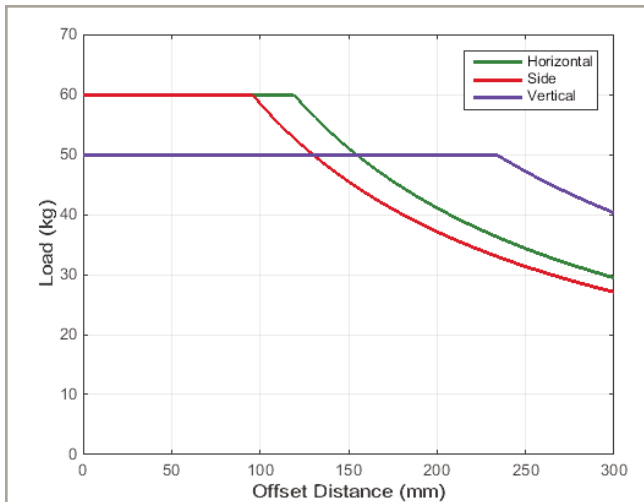
**Notes:**

1. Certified with -PL1/PL2 options.
2. Achieved with Aerotech rotary motor with amplified sine encoder.
3. Achieved with Aerotech rotary motor with 2500 cnts/rev digital encoder.
4. Requires the selection of an appropriate amplifier with sufficient voltage and current.
5. Axis-orientation for on-axis loading is listed.
6. Specifications are for single-axis systems measured 25 mm above the tabletop. Performance of multi-axis systems is payload and workpoint dependent. Contact factory for multi-axis applications.

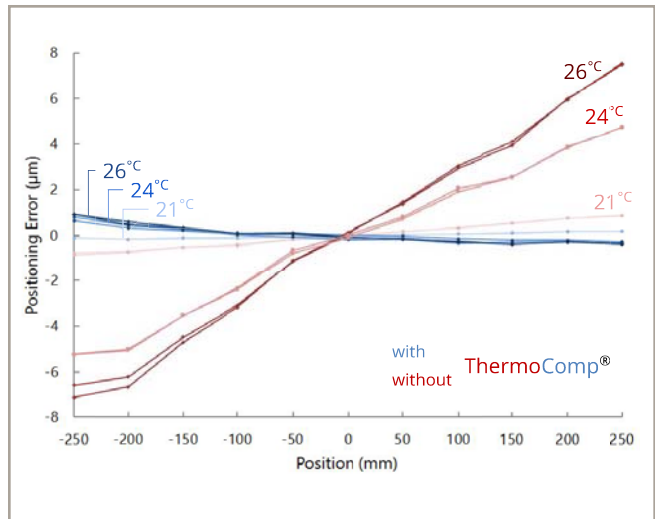
Electrical Specifications	
Drive System	Brushless Rotary Servomotor
Feedback (Linear Encoder – SLE Version Only)	Incremental – 1 Vpp and TTL (0.1 µm & 0.5 µm) Output Absolute - EnDat 2.2
Feedback (Rotary Encoder)	Incremental – 1000 lines/rev (1 Vpp) and 2500 lines/rev (TTL)
Maximum Bus Voltage	340 VDC
Limit Switches	5 V, Normally-Closed

Recommended Controller		
Multi-Axis	A3200	Ndrive HLe/Ndrive CP/Ndrive HPe/Npaq
	Ensemble	Ensemble HLe/Ensemble CP/Ensemble HPe
Single Axis	Soloist	Soloist CP/Soloist HPe

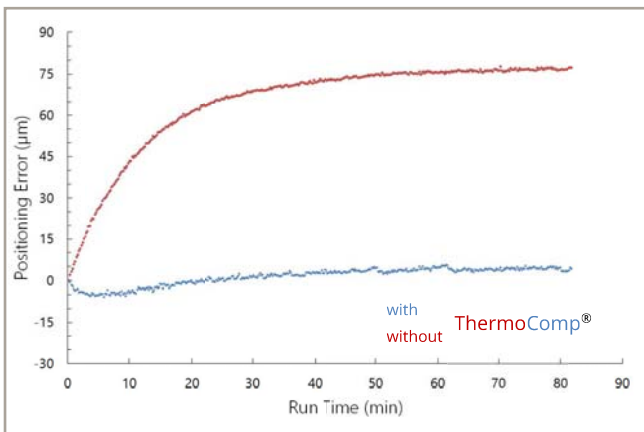
## PRO190SL/SLE Series SPECIFICATIONS



Cantilevered load capability of the PRO190SL/SLE.



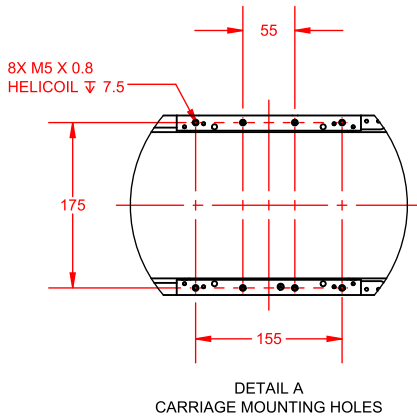
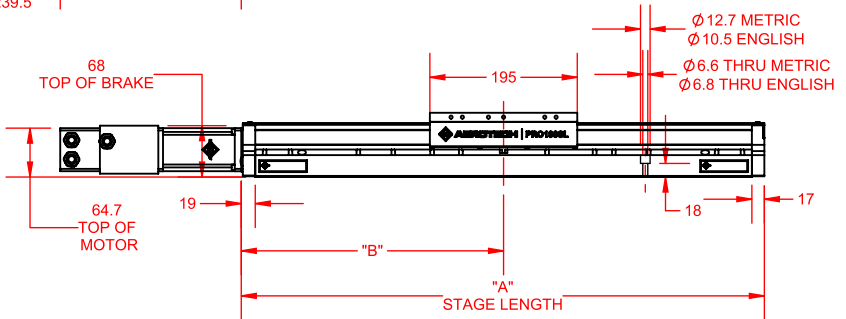
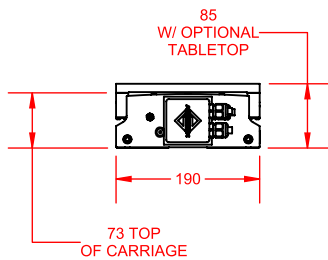
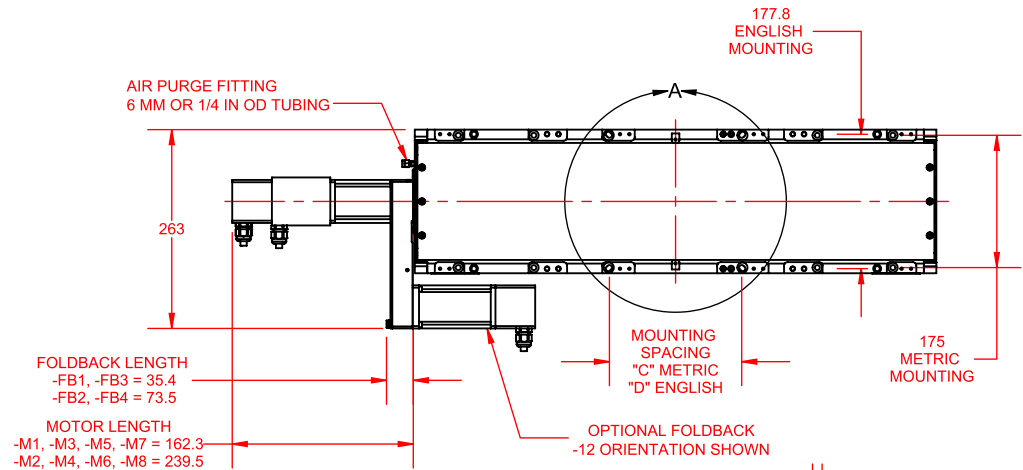
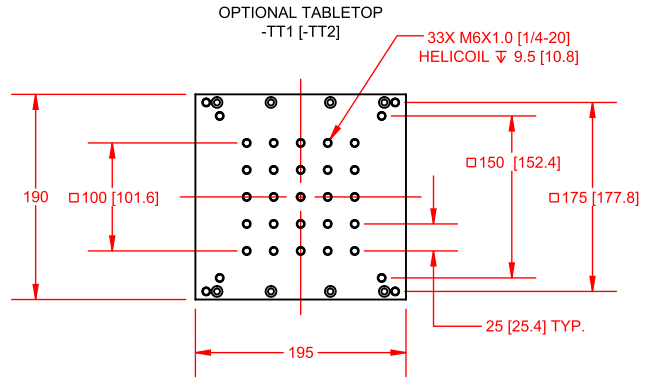
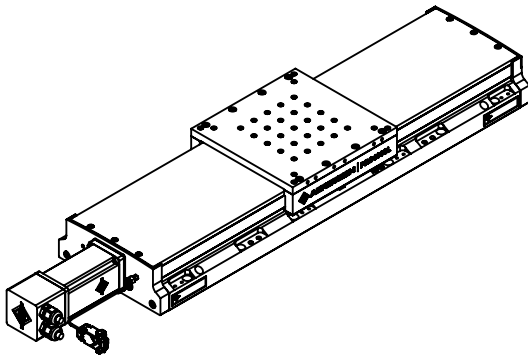
Measurement data showing successful compensation of thermal related positioning errors at several temperatures using the ThermoComp feature. Results are typical of stage performance with and without ThermoComp.



Measurement data showing successful compensation of internal heating related positioning errors during prolonged operation of a ball screw stage using the ThermoComp feature. Results are typical of ball screw stage performance with and without ThermoComp.

# PRO190SL/SLE Series DIMENSIONS

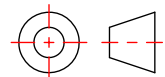
## PRO190SL



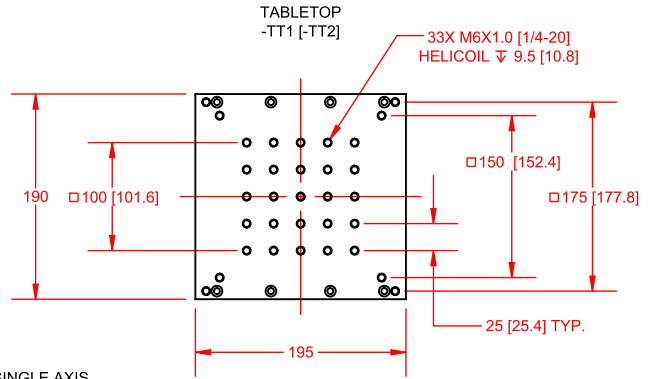
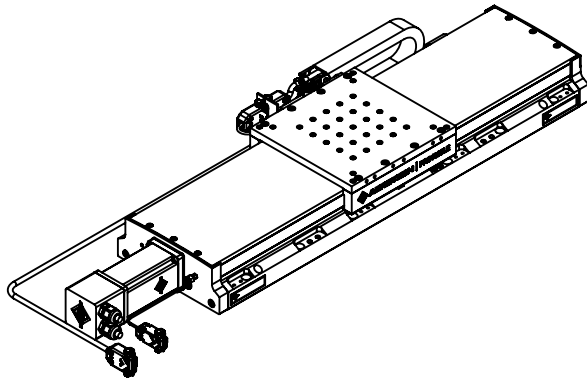
BASIC MODEL	NOMINAL TRAVEL	ELEC LIMIT TRAVEL	MECH LIMIT TRAVEL	A	B	C	D
PRO190SL-050	50.8	58.4-63.2	75	342	172	175, 275	177.8
PRO190SL-100	101.6	109.2-114	125	392	197	175, 275	177.8
PRO190SL-150	152.4	160-164.8	175	442	222	175, 275	177.8
PRO190SL-200	203.2	210.8-215.6	225	492	247	175, 275	177.8
PRO190SL-250	254.0	261.6-266.4	275	542	272	175, 375	177.8
PRO190SL-300	304.8	312.4-317.2	325	592	297	175, 375	177.8, 431.8
PRO190SL-400	406.4	414-418.8	425	692	347	175, 375, 575	177.8, 533.4
PRO190SL-500	508.0	515.6-519	525	792	397	175, 375, 575	177.8, 533.4
PRO190SL-600	609.6	617.2-619	625	892	447	175, 375, 575, 775	177.8, 533.4
PRO190SL-800	812.8	820.4-822	825	1092	547	175, 375, 575, 775, 975	177.8, 533.4, 838.2

**NOTES :**

1. DIMENSIONS: MILLIMETERS.

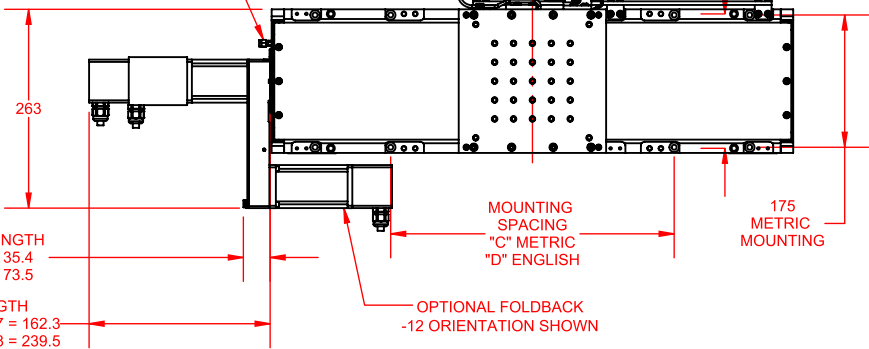


PRO190SLE



SINGLE AXIS  
CABLE MANAGEMENT  
ENCODER FEEDBACK  
CABLE TO MATCH  
MOTOR CABLE LENGTHS

AIR PURGE FITTING  
6 MM OR 1/4 IN OD TUBING

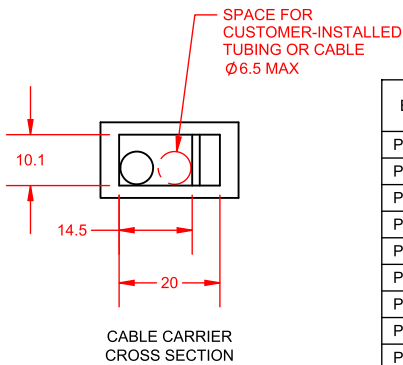
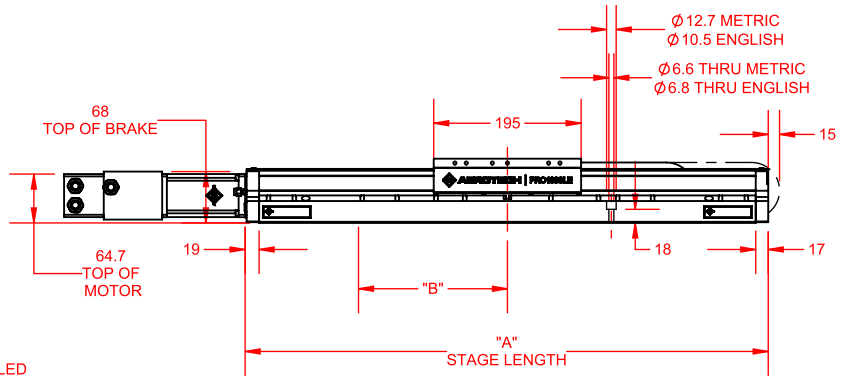
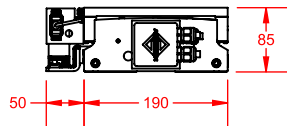


FOLDBACK LENGTH  
-FB1, -FB3 = 35.4  
-FB2, -FB4 = 73.5

MOTOR LENGTH  
-M1, -M3, -M5, -M7 = 162.3  
-M2, -M4, -M6, -M8 = 239.5

MOUNTING  
SPACING  
"C" METRIC  
"D" ENGLISH

OPTIONAL FOLDBACK  
-12 ORIENTATION SHOWN

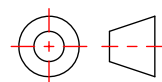


CABLE CARRIER  
CROSS SECTION

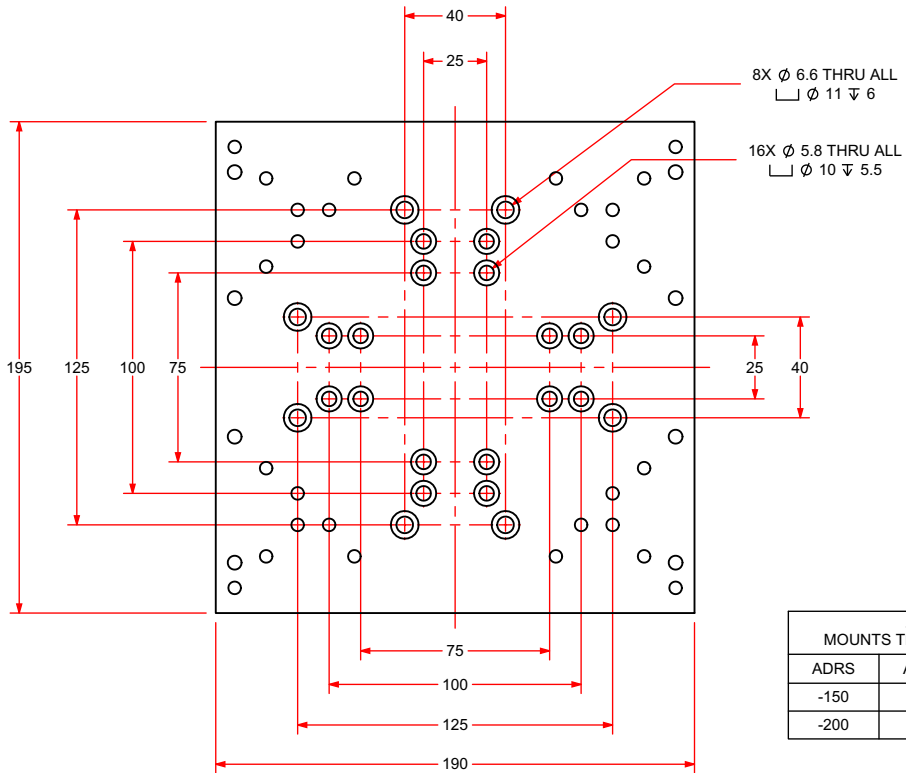
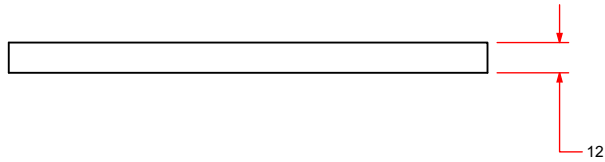
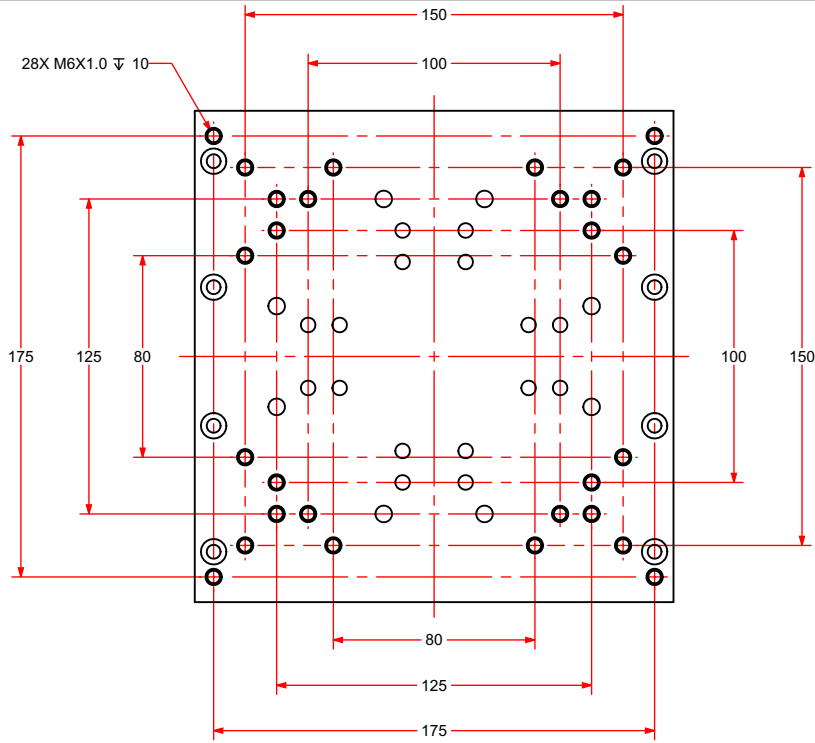
BASIC MODEL	NOMINAL TRAVEL	ELEC LIMIT TRAVEL	MECH LIMIT TRAVEL	A	B	C	D
PRO190SLE-050	50.8	58.4-63.2	75	342	172	175, 275	177.8
PRO190SLE-100	101.6	109.2-114	125	392	197	175, 275	177.8
PRO190SLE-150	152.4	160-164.8	175	442	222	175, 275	177.8
PRO190SLE-200	203.2	210.8-215.6	225	492	247	175, 275	177.8
PRO190SLE-250	254.0	261.6-266.4	275	542	272	175, 375	177.8
PRO190SLE-300	304.8	312.4-317.2	325	592	297	175, 375	177.8, 431.8
PRO190SLE-400	406.4	414-418.8	425	692	347	175, 375, 575	177.8, 533.4
PRO190SLE-500	508.0	515.6-519	525	792	397	175, 375, 575	177.8, 533.4
PRO190SLE-600	609.6	617.2-619	625	892	447	175, 375, 575, 775	177.8, 533.4
PRO190SLE-800	812.8	820.4-822	825	1092	547	175, 375, 575, 775, 975	177.8, 533.4, 838.2

NOTES :

1. DIMENSIONS: MILLIMETERS.

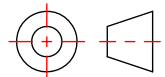


# PRO190SL/SLE Series Accessory Tabletop DIMENSIONS

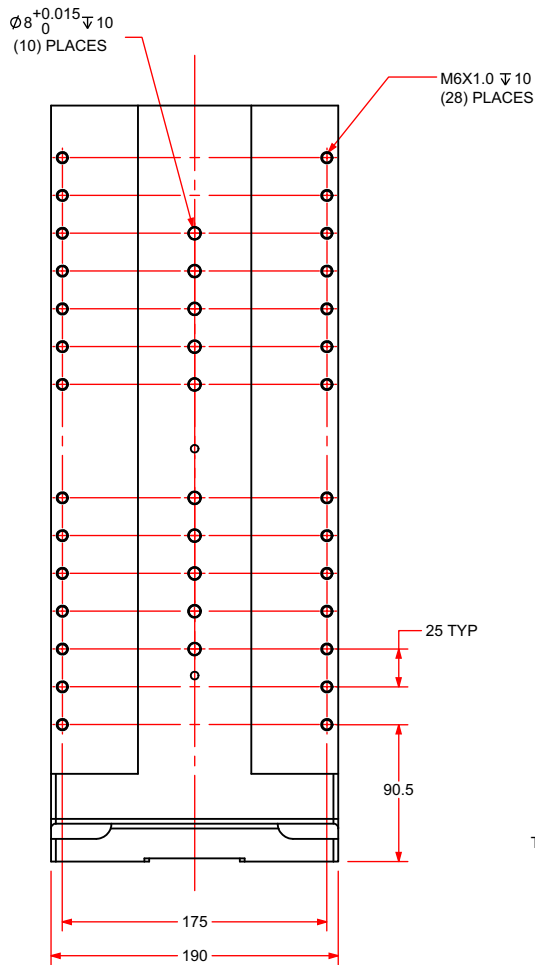
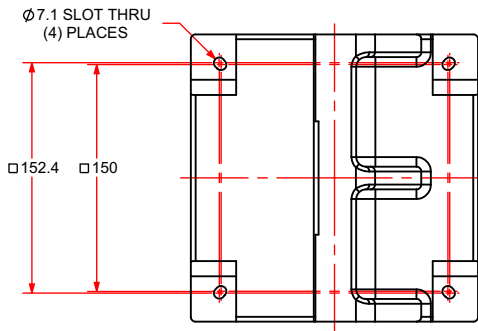


-TT3 MOUNTS THE FOLLOWING		
ADRS	ADRT	AGR
-150	-150	100
-200		

DIMENSIONS: MILLIMETERS

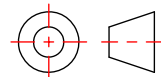


# PRO190SL/SLE Series HDZ Bracket DIMENSIONS



BASIC MODEL	RECOMMENDED FOR	MASS [kg]
HDZ190	PRO190SL-050, PRO190SL-100, PRO190SL-150	9.9

DIMENSIONS: MILLIMETERS



## PRO190SL/SLE Series ORDERING INFORMATION

### PRO190SL Series Linear, Ball-Screw Stage

#### Travel (Required)

-050	50 mm travel stage
-100	100 mm travel stage
-150	150 mm travel stage
-200	200 mm travel stage
-250	250 mm travel stage
-300	300 mm travel stage
-400	400 mm travel stage
-500	500 mm travel stage
-600	600 mm travel stage
-800	800 mm travel stage

#### Mounting Orientation (Required)

	Normal mounting orientation
-MT1	Side-mounted or vertical orientation
-MT2	Inverted mounting orientation

#### Tabletop (Optional)

-TT1	Tabletop with metric dimension mounting
-TT2	Tabletop with English dimension mounting
-TT3	Accessory tabletop with mounting for select rotary stages
-TT4	Tabletop with metric dimension mounting and wiper brushes
-TT5	Tabletop with English dimension mounting and wiper brushes
-TT6	Accessory tabletop with mounting for select rotary stages and wipers

Note: TT option required for lower axis of XY when a foldback kit is used.

#### Motor (Optional)

-M1	BMS100 brushless servomotor and 2500-line TTL encoder
-M2	BMS100 brushless servomotor, 2500-line TTL encoder, and brake
-M3	BMS100 brushless servomotor and 1000-line 1 Vpp encoder
-M4	BMS100 brushless servomotor, 1000-line 1 Vpp encoder, and brake
-M5	BM130 brushless servomotor and 2500-line TTL encoder
-M6	BM130 brushless servomotor, 2500-line TTL encoder, and brake
-M7	BM130 brushless servomotor and 1000-line 1 Vpp encoder
-M8	BM130 brushless servomotor, 1000-line 1 Vpp encoder, and brake

#### Foldback (Optional)

-FB1	Foldback kit for 0.250 inch diameter shaft NEMA 23 motor
-FB2	Foldback kit with brake for 0.250 inch diameter shaft NEMA 23 motor
-FB3	Foldback kit for 0.375 inch diameter shaft NEMA 23 motor
-FB4	Foldback kit with brake for 0.375 inch diameter shaft NEMA 23 motor

#### Motor Orientation (Optional)

-2	Bottom cable exit, optional orientation
-3	Left-side cable exit, standard orientation
-4	Top cable exit, optional orientation
-5	Right-side cable exit, optional orientation
-8	Right-side foldback, standard orientation
-12	Left-side foldback, optional orientation

#### Limits (Required)

-LI1	Normally-closed limit switches; 5 VDC with 9-Pin D connector
-LI2	Normally-open limit switches; 5 VDC with 9-Pin D connector
-LI3	Normally-closed limit switches; 24 VDC with 9-Pin D connector

#### Coupling (Optional)

-CP1	Coupling for 0.250 inch diameter shaft
-CP2	Coupling for 0.375 inch diameter shaft



## PRO190SL/SLE Series ORDERING INFORMATION

### Lifting Hardware (Optional)

-LF Lifting hardware

Note: Lifting option only available on travels 400 mm and greater. Lifting should never be ordered on the upper-axis of an XY set (only order on lower-axis).

### ThermoComp (Optional)

-TCMP ThermoComp integrated thermal compensation, single or lower axis

Note: An A3200 controller must be used with the -TCMP option.

### Metrology (Required)

-PL0 No metrology performance plots  
 -PL1 Metrology, uncalibrated with performance plots  
 -PL2 Metrology, calibrated (HALAR) with performance plots

### Integration (Required)

Aerotech offers both standard and custom integration services to help you get your system fully operational as quickly as possible. The following standard integration options are available for this system. Please consult Aerotech if you are unsure what level of integration is required, or if you desire custom integration support with your system.

-TAS **Integration - Test as system**  
 Testing, integration, and documentation of a group of components as a complete system that will be used together (ex: drive, controller, and stage). This includes parameter file generation, system tuning, and documentation of the system configuration.

-TAC **Integration - Test as components**  
 Testing and integration of individual items as discrete components that ship together. This is typically used for spare parts, replacement parts, or items that will not be used together. These components may or may not be part of a larger system.

### Accessories (To Be Ordered As Separate Line Item)

ALIGN-NPA Non-precision XY assembly  
 ALIGN-NPAZ Non-precision XZ or YZ assembly  
 ALIGN-PA10 XY assembly; 10 arc sec orthogonality. Alignment to within 7 microns orthogonality for short travel stages.  
 ALIGN-PA10Z XZ or YZ assembly with L-bracket; 10 arc second orthogonality. Alignment to within 10 microns orthogonality for short travel stages.  
 ALIGN-PA5 XY assembly; 5 arc sec orthogonality. Alignment to within 3 microns orthogonality for short travel stages.  
 ALIGN-PA5Z XZ or YZ assembly with L-bracket; 5 arc second orthogonality. Alignment to within 5 microns orthogonality for short travel stages.  
 HDZ190 Right angle L-bracket for PRO190SL/SLE-050, PRO190SL/SLE-100, and PRO190SL/SLE-150 only  
 Note: HDZ190 requires a tabletop when mounting to a PRO series stage.

## PRO190SLE Series Linear, Ball-Screw Stage with Direct Linear Feedback

### Direct Linear Feedback (Required)

-E1 Incremental linear encoder; 1 Vpp  
 -E2 Incremental linear encoder; 0.1  $\mu$ m digital TTL output  
 -E3 Absolute linear encoder; EnDat 2.2  
 -E4 Incremental linear encoder, 0.5  $\mu$ m digital TTL output

### Travel (Required)

-050 50 mm travel stage  
 -100 100 mm travel stage  
 -150 150 mm travel stage  
 -200 200 mm travel stage  
 -250 250 mm travel stage  
 -300 300 mm travel stage  
 -400 400 mm travel stage  
 -500 500 mm travel stage  
 -600 600 mm travel stage  
 -800 800 mm travel stage

## PRO190SL/SLE Series ORDERING INFORMATION

### Mounting Orientation (Required)

---

	Normal mounting orientation
-MT1	Side-mounted or vertical orientation
-MT2	Inverted mounting orientation

### Tabletop (Required)

---

-TT1	Tabletop with metric dimension mounting
-TT2	Tabletop with English dimension Mounting
-TT3	Accessory tabletop with mounting for select rotary stages
-TT4	Tabletop with metric dimension mounting and wiper brushes
-TT5	Tabletop with English dimension mounting and wiper brushes
-TT6	Accessory tabletop with mounting for select rotary stages and wipers

### Motor (Optional)

---

-M1	BMS100 brushless servomotor and 2500-line TTL encoder
-M2	BMS100 brushless servomotor, 2500-line TTL encoder, and brake
-M3	BMS100 brushless servomotor and 1000-line 1 Vpp encoder
-M4	BMS100 brushless servomotor, 1000-line 1 Vpp encoder, and brake
-M5	BM130 brushless servomotor and 2500-line TTL encoder
-M6	BM130 brushless servomotor, 2500-line TTL encoder, and brake
-M7	BM130 brushless servomotor and 1000-line 1 Vpp encoder
-M8	BM130 brushless servomotor, 1000-line 1 Vpp encoder, and brake

### Foldback (Optional)

---

-FB1	Foldback kit for 0.250 inch diameter shaft NEMA 23 motor
-FB2	Foldback kit with brake for 0.250 inch diameter shaft NEMA 23 motor
-FB3	Foldback kit for 0.375 inch diameter shaft NEMA 23 motor
-FB4	Foldback kit with brake for 0.375 inch diameter shaft NEMA 23 motor

### Motor Orientation (Optional)

---

-2	Bottom cable exit, optional orientation
-3	Left-side cable exit, standard orientation
-4	Top cable exit, optional orientation
-5	Right-side cable exit, optional orientation
-8	Right-side foldback, standard orientation
-12	Left-side foldback, optional orientation

### Limits (Required)

---

-LI1	Normally-closed limit switches; 5 VDC with 9-Pin D connector
-LI2	Normally-open limit switches; 5 VDC with 9-Pin D connector
-LI3	Normally-closed limit switches; 24 VDC with 9-Pin D connector

### Coupling (Optional)

---

-CP1	Coupling for 0.250 inch diameter shaft
-CP2	Coupling for 0.375 inch diameter shaft

### Lifting Hardware (Optional)

---

-LF	Lifting hardware
-----	------------------

Note: Lifting option only available on travels 400 mm and greater. Lifting should never be ordered on the upper-axis of an XY set (only order on lower-axis).

### ThermoComp (Optional)

---

-TCMP	ThermoComp integrated thermal compensation, single or lower axis
-------	--

Note: An A3200 controller must be used with the -TCMP option.

### Metrology (Required)

---

-PL0	No metrology performance plots
-PL1	Metrology, uncalibrated with performance plots
-PL2	Metrology, calibrated (HALAR) with performance plots

## PRO190SL/SLE Series ORDERING INFORMATION

### Integration (Required)

---

Aerotech offers both standard and custom integration services to help you get your system fully operational as quickly as possible. The following standard integration options are available for this system. Please consult Aerotech if you are unsure what level of integration is required, or if you desire custom integration support with your system.

- TAS                    **Integration - Test as system**  
Testing, integration, and documentation of a group of components as a complete system that will be used together (ex: drive, controller, and stage). This includes parameter file generation, system tuning, and documentation of the system configuration.
- TAC                    **Integration - Test as components**  
Testing and integration of individual items as discrete components that ship together. This is typically used for spare parts, replacement parts, or items that will not be used together. These components may or may not be part of a larger system.

### Accessories (To Be Ordered As Separate Line Item)

---

- ALIGN-NPA            Non-precision XY assembly
- ALIGN-NPAZ           Non-precision XZ or YZ assembly
- ALIGN-PA10           XY assembly; 10 arc sec orthogonality. Alignment to within 7 microns orthogonality for short travel stages.
- ALIGN-PA10Z         XZ or YZ assembly with L-bracket; 10 arc second orthogonality. Alignment to within 10 microns orthogonality for short travel stages.
- ALIGN-PA5            XY assembly; 5 arc sec orthogonality. Alignment to within 3 microns orthogonality for short travel stages.
- ALIGN-PA5Z           XZ or YZ assembly with L-bracket; 5 arc second orthogonality. Alignment to within 5 microns orthogonality for short travel stages.
- HDZ190                Right angle L-bracket for PRO190SL/SLE-050, PRO190SL/SLE-100, and PRO190SL/SLE-150 only.
- Note: HDZ190 bracket requires a tabletop when mounting to a PRO series stage.