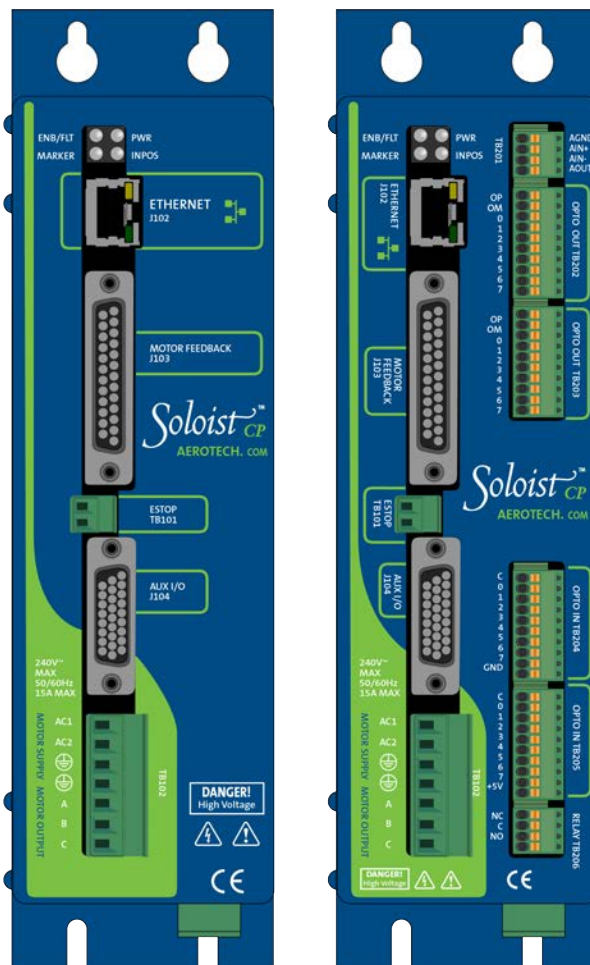


Soloist CP Hardware Manual

Revision: 4.09.00



Global Technical Support

Go to www.aerotech.com/global-technical-support for information and support about your Aerotech, Inc. products. The website supplies software, product manuals, Help files, training schedules, and PC-to-PC remote technical support. If necessary, you can complete Product Return (RMA) forms and get information about repairs and spare or replacement parts. To get help immediately, contact a service office or your sales representative. Include your customer order number in your email or have it available before you call.

United States (World Headquarters)	
Email: Support@aerotech.com Phone: +1-412-967-6440 Fax: +1-412-967-6870	101 Zeta Drive Pittsburgh, PA 15238-2811 www.aerotech.com
United Kingdom	China
Email: Support@aerotech.com Phone: +44 (0)1256 855055 Fax: +44 (0)1256 855649	Email: Support@aerotech.com Phone: +86 (21) 5508 6731
Germany	Taiwan
Email: Support@aerotech.com Phone: +49 (0)911 967 9370 Fax: +49 (0)911 967 93720	Email: Support@aerotech.com Phone: +886 (0)2 8751 6690
France	
Email: Support@aerotech.com Phone: +33 2 37 21 87 65	

This manual contains proprietary information and may not be reproduced, disclosed, or used in whole or in part without the express written permission of Aerotech, Inc. Product names mentioned herein are used for identification purposes only and may be trademarks of their respective companies.

Copyright © 2004-2019, Aerotech, Inc., All rights reserved.

Aerotech Worldwide

United States ■ France ■ Germany ■ United Kingdom
China ■ Japan ■ Taiwan



Table of Contents

Soloist CP Hardware Manual	1
Table of Contents	3
List of Figures	5
List of Tables	7
EU Declaration of Conformity	9
Agency Approvals	10
Safety Procedures and Warnings	11
Quick Installation Guide	13
Chapter 1: Introduction	15
1.1. Drive and Software Compatibility	18
1.2. Electrical Specifications	19
1.2.1. System Power Requirements	20
1.2.2. Power Dissipation	21
1.3. Mechanical Design	22
1.4. Environmental Specifications	23
Chapter 2: Installation and Configuration	25
2.1. Power Connections	25
2.1.1. Control Supply Connections (TB106)	26
2.1.2. Motor Supply Connections (TB102)	27
2.1.3. Transformer Options	28
2.1.4. Minimizing Conducted, Radiated, and System Noise	35
2.2. Motor Output Connections	36
2.2.1. Brushless Motor Connections	37
2.2.1.1. Powered Motor Phasing	38
2.2.1.2. Unpowered Motor and Feedback Phasing	39
2.2.2. DC Brush Motor Connections	40
2.2.2.1. DC Brush Motor Phasing	41
2.2.3. Stepper Motor Connections	42
2.2.3.1. Stepper Motor Phasing	43
2.3. Motor Feedback Connections (J103)	44
2.3.1. Encoder Interface (J103)	45
2.3.1.1. RS-422 Line Driver Encoder (Standard)	46
2.3.1.2. Absolute Encoder Interface (J103)	47
2.3.1.3. Analog Encoder Interface	48
2.3.1.4. Encoder Phasing	50
2.3.2. Hall-Effect Interface (J103)	52
2.3.3. Thermistor Interface (J103)	53
2.3.4. Encoder Fault Interface (J103)	54
2.3.5. End Of Travel Limit Input Interface (J103)	55
2.3.5.1. End Of Travel Limit Phasing	57
2.3.6. Brake Output (J103)	58
2.4. Emergency Stop Sense Input Connector (TB101)	59
2.4.1. Typical ESTOP Interface	60
2.5. Auxiliary I/O Connector (J104)	61
2.5.1. Auxiliary Encoder Channel (J104)	62
2.5.2. Position Synchronized Output (PSO)/Laser Firing (J104)	64
2.5.3. Digital Outputs (J104)	66
2.5.4. Digital Inputs (J104)	68
2.5.5. High-Speed User Inputs 4-5 (J104)	70
2.5.6. Analog Output 0 (J104)	71
2.5.7. Differential Analog Input 0 (J104)	72

- 2.6. Brake Power Supply Connector (TB103) 73
- 2.7. RS-232 Interface (TB103) 76
- 2.8. -EXTSHUNT Option (TB104) 77
- 2.9. PC Configuration and Operation Information 79
- Chapter 3: -I/O Expansion Board 81**
 - 3.1. Analog I/O Connector (TB201) 82
 - 3.1.1. Analog Output (TB201) 83
 - 3.1.2. Differential Analog Input (TB201) 84
 - 3.2. Opto Out Connectors (Digital Outputs) (TB202/TB203) 85
 - 3.3. Opto In Connectors (Digital Inputs) (TB204/TB205) 89
 - 3.4. User Power (TB204, TB205) 92
 - 3.5. Relay Connector (TB206) 93
- Chapter 4: Standard Interconnection Cables 95**
 - 4.1. Joystick Interface 96
 - 4.2. Handwheel Interface 99
- Chapter 5: Maintenance 101**
 - 5.1. Control Board 102
 - 5.2. Preventative Maintenance 104
- Appendix A: Warranty and Field Service 105**
- Appendix B: Revision History 107**
- Index 109**

List of Figures

Figure 1-1:	Soloist CP Networked Digital Drive	15
Figure 1-2:	Functional Diagram	17
Figure 1-3:	Power Dissipation vs. Output Current	21
Figure 1-4:	Ambient Temperature vs. Power Dissipation	21
Figure 1-5:	Dimensions	22
Figure 2-1:	Control Supply Connections	26
Figure 2-2:	Motor Bus Input Connections	27
Figure 2-3:	Transformer Examples	28
Figure 2-4:	40 VDC Motor Power with a TV0.3-28-56-ST Transformer	29
Figure 2-5:	80 VDC Motor Power with a TV0.3-28-56-ST Transformer	30
Figure 2-6:	40 Volt DC Bus from 115 and 230 VAC Source	31
Figure 2-7:	80 Volt DC Bus from 115 and 230 VAC Source (TV0.3-56)	32
Figure 2-8:	160 Volt DC Bus from 115 and 230 VAC Source (TV0.3-56)	33
Figure 2-9:	Control and Motor Power Wiring using a TM3 or TM5 Transformer	34
Figure 2-10:	AC Line Filter (UFM-ST)	35
Figure 2-11:	Brushless Motor Configuration	37
Figure 2-12:	Encoder and Hall Signal Diagnostics	38
Figure 2-13:	Motor Phasing Oscilloscope Example	39
Figure 2-14:	Brushless Motor Phasing Goal	39
Figure 2-15:	DC Brush Motor Configuration	40
Figure 2-16:	Clockwise Motor Rotation	41
Figure 2-17:	Stepper Motor Configuration	42
Figure 2-18:	Clockwise Motor Rotation	43
Figure 2-19:	Line Driver Encoder Interface (J103)	46
Figure 2-20:	Serial Data Stream Interface	47
Figure 2-21:	Analog Encoder Phasing Reference Diagram	48
Figure 2-22:	Analog Encoder Interface (J103)	49
Figure 2-23:	Encoder Phasing Reference Diagram (Standard)	50
Figure 2-24:	Position Feedback in the Diagnostic Display	51
Figure 2-25:	Hall-Effect Inputs (J103)	52
Figure 2-26:	Thermistor Interface Input (J103)	53
Figure 2-27:	Encoder Fault Interface Input (J103)	54
Figure 2-28:	End of Travel Limit Input Connections	55
Figure 2-29:	End of Travel Limit Interface Input (J103)	56
Figure 2-30:	Limit Input Diagnostic Display	57
Figure 2-31:	ESTOP Sense Input (TB101)	59
Figure 2-32:	Typical Emergency Stop Circuit	60
Figure 2-33:	Auxiliary Encoder Channel (J104)	63
Figure 2-34:	PSO Interface	65
Figure 2-35:	Outputs Connected in Current Sourcing Mode (J104)	67
Figure 2-36:	Outputs Connected in Current Sinking Mode (J104)	67
Figure 2-37:	Inputs Connected in Current Sourcing Mode (J104)	69
Figure 2-38:	Inputs Connected in Current Sinking Mode (J104)	69
Figure 2-39:	High-Speed User Inputs (J104)	70
Figure 2-40:	Analog Output 0 (J104)	71
Figure 2-41:	Analog Input 0 (J104)	72
Figure 2-42:	Brake Connected to J103	74
Figure 2-43:	Brake Connected to TB103	75
Figure 2-44:	RS-232 Interface (TB103)	76
Figure 3-1:	Soloist CP with -IO Option Board	81
Figure 3-2:	Analog Output Connector (TB201)	83

Figure 3-3: Analog Input Typical Connection (TB201) 84

Figure 3-4: Digital Outputs (TB202/TB203) 87

Figure 3-5: Outputs Connected in Current Sourcing Mode (TB202/TB203) 88

Figure 3-6: Outputs Connected in Current Sinking Mode (TB202/TB203) 88

Figure 3-7: Digital Inputs 90

Figure 3-8: Inputs Connected to a Current Sourcing Device 91

Figure 3-9: Inputs Connected to a Current Sinking Device 91

Figure 3-10: Brake Connected to J103 94

Figure 3-11: Brake Connected to TB206 94

Figure 4-1: Single Axis Joystick Interface (to Aux I/O) 96

Figure 4-2: Two Axis Joystick Interface (to the Aux I/O of two drives) 97

Figure 4-3: Two Axis Joystick Interface (to the Aux I/O and I/O Board) 97

Figure 4-4: Two Axis Joystick Interface (to the I/O board of two drives) 98

Figure 4-5: Handwheel Interconnection (to Aux I/O) 99

Figure 4-6: Handwheel Interconnection (to Aux I/O via a BBA32 Module) 99

Figure 5-1: Control Board Assembly 102

List of Tables

Table 1-1:	Feature Summary	16
Table 1-2:	Ordering Options	16
Table 1-3:	Drive and Software Compatibility	18
Table 1-4:	Electrical Specifications	19
Table 1-5:	Physical Specifications	22
Table 2-1:	Control Supply AC Input Wiring	26
Table 2-2:	Mating Connector Part Numbers for the Control Supply Connector	26
Table 2-3:	Motor Supply Input Connections (TB102)	27
Table 2-4:	Mating Connector Part Numbers for the Motor Supply Connector	27
Table 2-5:	Nominal Motor Operating Voltages / Required AC Voltages	28
Table 2-6:	Transformer Options	28
Table 2-7:	Ferrite Noise Suppression Numbers	35
Table 2-8:	UFM-ST Electrical Specifications	35
Table 2-9:	Motor Power Output Connections (TB102)	36
Table 2-10:	Mating Connector Part Numbers for the Motor Power Output Connector	36
Table 2-11:	Wire Colors for Aerotech Supplied Cables (Brushless)	37
Table 2-12:	Wire Colors for Aerotech Supplied Cables (DC Brush)	40
Table 2-13:	Wire Colors for Aerotech Supplied Cables (Stepper)	42
Table 2-14:	Motor Feedback Connector Pinout (J103)	44
Table 2-15:	Mating Connector Part Numbers for the Motor Feedback Connector (J103)	44
Table 2-16:	Encoder Interface Pins on the Motor Feedback Connector (J103)	45
Table 2-17:	Encoder Specifications	46
Table 2-18:	Analog Encoder Specifications	48
Table 2-19:	Hall-Effect Feedback Interface Pins on the Motor Feedback Connector (J103)	52
Table 2-20:	Thermistor Interface Pin on the Motor Feedback Connector (J103)	53
Table 2-21:	Encoder Fault Interface Pin on the Motor Feedback Connector (J103)	54
Table 2-22:	End of Travel Limit Input Interface Pins on the Motor Feedback Connector (J103)	55
Table 2-23:	Brake Output Pins on the Motor Feedback Connector (J103)	58
Table 2-24:	Electrical Noise Suppression Devices	59
Table 2-25:	TB101 Mating Connector	59
Table 2-26:	Typical ESTOP Relay Ratings	60
Table 2-27:	Auxiliary I/O Connector Pinout (J104)	61
Table 2-28:	Mating Connector Part Numbers for the Auxiliary I/O Connector (J104)	61
Table 2-29:	Auxiliary Encoder Specifications	62
Table 2-30:	Auxiliary Encoder Channel Pins on the Auxiliary I/O Connector (J104)	62
Table 2-31:	PSO Specifications	64
Table 2-32:	PSO Output Pins on the Auxiliary I/O Connector (J104)	64
Table 2-33:	Digital Output Specifications	66
Table 2-34:	Port 0 Digital Output Connector Pins on the Auxiliary I/O Connector (J104)	66
Table 2-35:	Digital Input Specifications	68
Table 2-36:	Port 0 Digital Input Connector Pins on the Auxiliary I/O Connector (J104)	68
Table 2-37:	High-Speed Input Specifications	70
Table 2-38:	Port 0 High Speed Digital Input Connector Pins on the Auxiliary I/O Connector (J104)	70
Table 2-39:	Input Voltage Jumper Configuration	70
Table 2-40:	Analog Output 0 Specifications (TB102 B)	71
Table 2-41:	Analog Output Connector Pins on the Auxiliary I/O Connector (J104)	71
Table 2-42:	Differential Analog Input 0 Specifications	72
Table 2-43:	Analog Input Connector Pins on the Auxiliary I/O Connector (J104)	72
Table 2-44:	Relay Specifications	73
Table 2-45:	Brake Power Supply Connector Pinout (TB103)	73
Table 2-46:	Mating Connector Part Numbers for the Brake Power Supply Connector (TB103)	73

Table 2-47:	RS-232 Connector Pin Assignment (TB103)	76
Table 2-48:	RS-232 Port Connector Mating Connector (TB103)	76
Table 2-49:	-EXTSHUNT Component Information	77
Table 2-50:	Maximum Additional Storage Energy	78
Table 3-1:	-IO Expansion Board Jumper Configuration	81
Table 3-2:	-IO Option Board Fuse Information	81
Table 3-3:	Analog I/O Connector Pinout (TB201)	82
Table 3-4:	Mating Connector Part Numbers for the Analog Output Connector (TB201)	82
Table 3-5:	Analog Output Specifications (TB201)	83
Table 3-6:	Analog Output Pins on the Analog I/O Connector (TB201)	83
Table 3-7:	Differential Analog Input Specifications	84
Table 3-8:	Analog Input Pins on the Analog I/O Connector (TB201)	84
Table 3-9:	Digital Output Specifications (TB202/TB203)	85
Table 3-10:	Port 1 Opto Out Connector Pinout (TB202)	86
Table 3-11:	Port 2 Opto Out Connector Pinout (TB203)	86
Table 3-12:	Mating Connector Part Numbers for the Opto Out Connectors (TB202/TB203)	86
Table 3-13:	Digital Input Device Specifications	89
Table 3-14:	Port 1 Opto In Connector Pinout (TB204)	89
Table 3-15:	Port 2 Opto In Connector Pinout (TB205)	89
Table 3-16:	Mating Connector Part Numbers for the Opto In Connector (TB204/TB205)	89
Table 3-17:	User Common Connector on the Opto In Connector (TB204)	92
Table 3-18:	+5 Volt Power Connector Pin on the Opto In Connector (TB205)	92
Table 3-19:	Voltage and Current Specifications (TB206)	93
Table 3-20:	Relay Connector Pinout (TB206)	93
Table 3-21:	Mating Connector Part Numbers for the Relay Connector (TB206)	93
Table 3-22:	-IO Expansion Board Brake Jumper Configuration	93
Table 4-1:	Standard Interconnection Cables	95
Table 4-2:	Cable Part Numbers	98
Table 5-1:	LED Description	101
Table 5-2:	Control Board Jumper Configuration	103
Table 5-3:	Control Board Fuse Information	103
Table 5-4:	LED Description	103
Table 5-5:	Preventative Maintenance	104

EU Declaration of Conformity

Manufacturer Aerotech, Inc.
Address 101 Zeta Drive
 Pittsburgh, PA 15238-2811
 USA
Product Soloist CP
Model/Types All

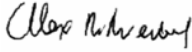
This is to certify that the aforementioned product is in accordance with the applicable requirements of the following Directive(s):

2014/30/EU	Electromagnetic Compatibility Directive
2014/35/EU	Low Voltage Directive
2011/65/EU	RoHS 2 Directive

and has been designed to be in conformity with the applicable requirements of the following Standard(s) when installed and used in accordance with the manufacturer’s supplied installation instructions.

EN 61800-3:2004	EMC Requirements for Power Drives
EN 61010-1:2010	Safety Requirements for Electrical Equipment

Authorized Representative: Simon Smith, European Director
Address: Aerotech Ltd
 The Old Brick Kiln, Ramsdell, Tadley
 Hampshire RG26 5PR
 UK

Name  / Alex Weibel
Position Engineer Verifying Compliance
Location Pittsburgh, PA
Date 6/20/2019



Agency Approvals

Aerotech, Inc. Model Soloist CP Series Digital Drives have been tested and found to be in accordance to the following listed Agency Approvals:

Approval / Certification:	CUS NRTL
Approving Agency:	TUV SUD America Inc.
Certificate #:	U8 17 01 68995 023
Standards:	CAN/CSA-C22.2 No. 61010-1:2012; UL 61010-1:2012

Visit <https://www.tuev-sued.de/product-testing/certificates> to view Aerotech's TÜV SÜD certificates. Type the certificate number listed above in the search bar or type "Aerotech" for a list of all Aerotech certificates.

Safety Procedures and Warnings

This manual tells you how to carefully and correctly use and operate the Soloist CP. Read all parts of this manual before you install or operate the Soloist CP or before you do maintenance to your system. To prevent injury to you and damage to the equipment, obey the precautions in this manual. The precautions that follow apply when you see a Danger or Warning symbol in this manual. If you do not obey these precautions, injury to you or damage to the equipment can occur. If you do not understand the information in this manual, contact Aerotech Global Technical Support.

This product has been designed for light industrial manufacturing or laboratory environments. The protection provided by the equipment could be impaired if the product is used in a manner not specified by the manufacturer.

NOTE: Aerotech continually improves its product offerings; listed options may be superseded at any time. All drawings and illustrations are for reference only and were complete and accurate as of this manual's release. Refer to www.aerotech.com for the most up-to-date information.



DANGER: This product contains potentially lethal voltages. To reduce the possibility of electrical shock, bodily injury, or death the following precautions must be followed.

1. Disconnect electrical power before servicing equipment.
2. Disconnect electrical power before performing any wiring.
3. Access to the Soloist CP and component parts must be restricted while connected to a power source.
4. To minimize the possibility of electrical shock and bodily injury, extreme care must be exercised when any electrical circuits are in use. Suitable precautions and protection must be provided to warn and prevent persons from making contact with live circuits.
5. Install the Soloist CP inside a rack or enclosure.
6. The shunt resistor temperature can exceed 70°C during normal operation and contains lethal voltage on its terminals and surface. It must be properly enclosed and shielded to avoid risk of fire and operator shock.
7. Do not connect or disconnect any electrical components or connecting cables while connected to a power source.
8. All components must be properly grounded in accordance with local electrical safety requirements.
9. Operator safeguarding requirements must be addressed during final integration of the product.



DANGER: The Soloist CP case temperature may exceed 70°C in some applications.



WARNING: To minimize the possibility of electrical shock, bodily injury or death the following precautions must be followed.

1. If the product is used in a manner not specified by the manufacturer, the protection provided by the product can be impaired and result in damage, shock, injury, or death.
2. Moving parts can cause crushing or shearing injuries. Access to all stage and motor parts must be restricted while connected to a power source.
3. Cables can pose a tripping hazard. Securely mount and position all system cables to avoid potential hazards.
4. Do not expose this product to environments or conditions outside of the listed specifications. Exceeding environmental or operating specifications can cause damage to the equipment.
5. Operators must be trained before operating this equipment.
6. All service and maintenance must be performed by qualified personnel.

Quick Installation Guide

This chapter describes the order in which connections and settings should typically be made to the Soloist CP. If a custom interconnection drawing was created for your system (look for a line item on your Sales Order under the heading “Integration”), that drawing can be found on your installation device.

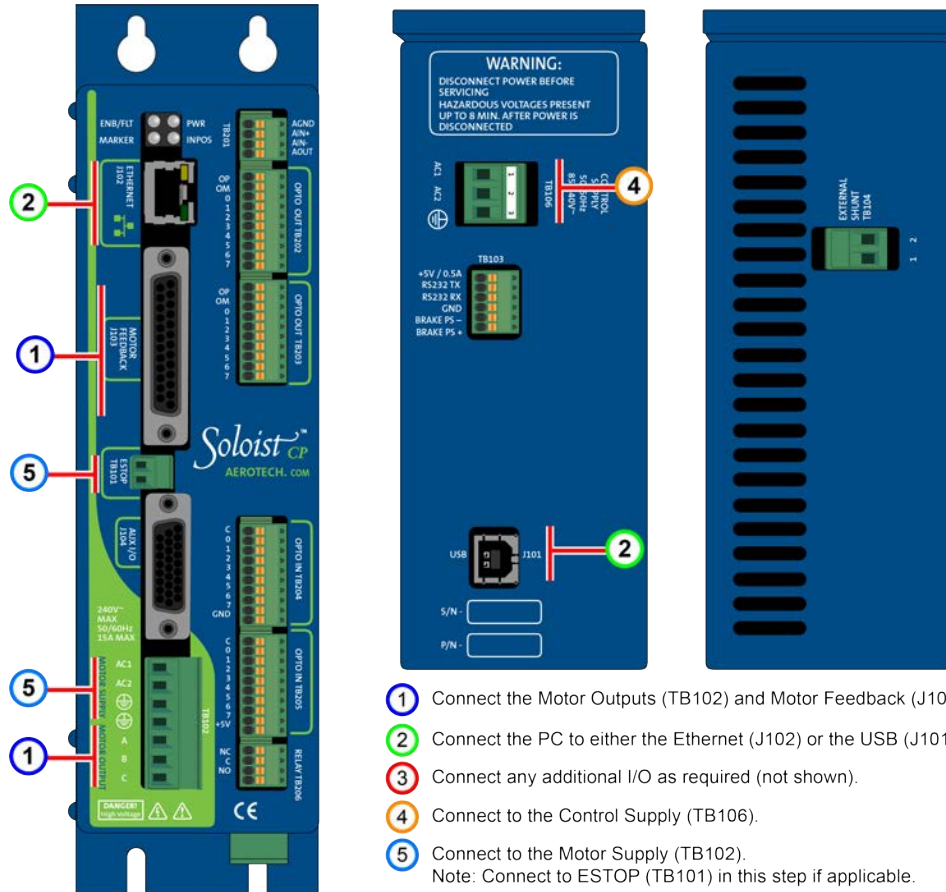


Figure 1: Quick Start Connections

Topic	Section
Motor Output	Section 2.2. Motor Output Connections
Motor Feedback	Section 2.3. Motor Feedback Connections (J103)
Ethernet / USB	No Section / Standard Connection
Control Supply	Section 2.1.1. Control Supply Connections (TB106)
Motor Supply	Section 2.1.2. Motor Supply Connections (TB102)
Additional I/O	User / Application dependent

This page intentionally left blank.

Chapter 1: Introduction

Aerotech's Soloist CP (Compact PWM) network digital drive is a high performance amplifier. The drive provides deterministic behavior, auto-identification, and easy software setup. The Soloist CP's high performance double precision floating point DSP controls the digital PID and current loops. All system configuration is done using software-settable parameters, including control loop gains and system safety functions.

The Soloist CP is offered with an optional encoder interpolation feature (-MXU), an auxiliary square wave encoder input for dual loop control, dedicated analog and digital I/O (expandable with the -IO option), and separate power connections for motor and control supply voltages.

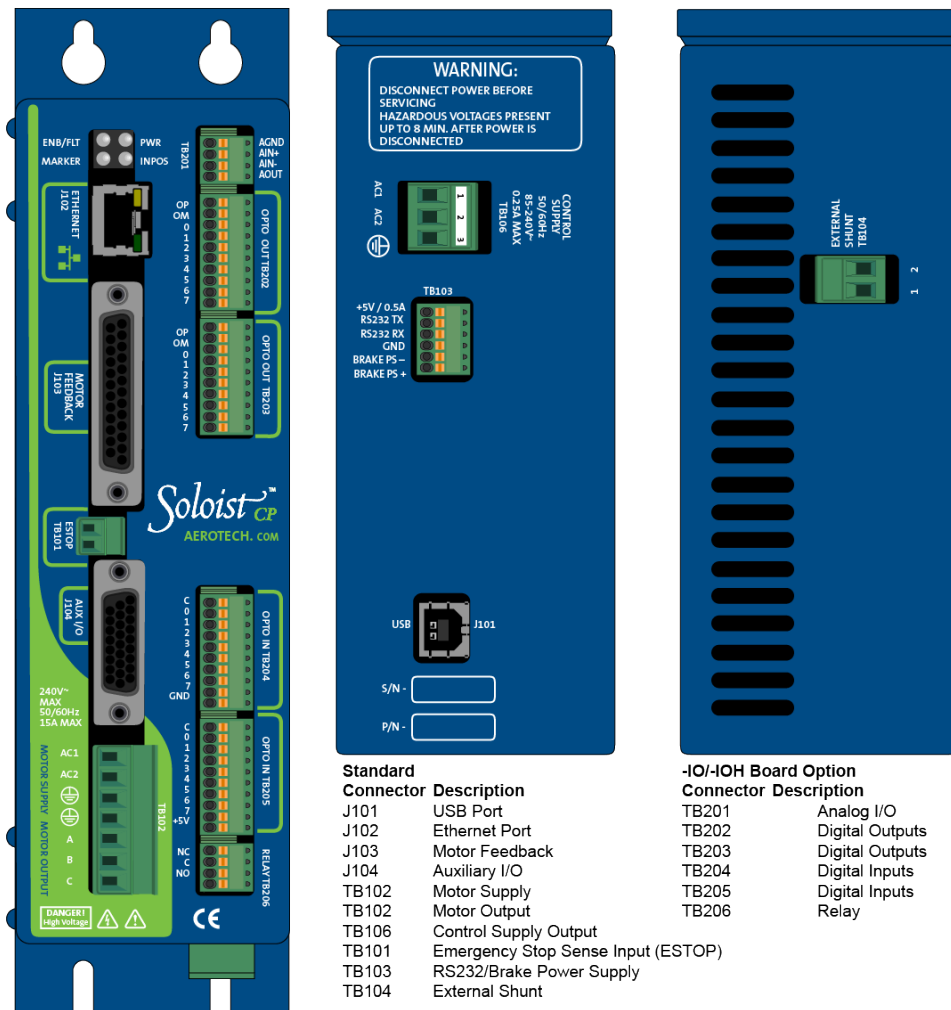


Figure 1-1: Soloist CP Networked Digital Drive

Table 1-1: Feature Summary

Standard Features	
• 85 - 240 VAC control supply inputs	Section 2.1.1.
• Primary quadrature encoder input channels	Section 2.3.1.
• Absolute Encoder support	Section 2.3.1.2.
• Dedicated Home and Limit inputs	Section 2.3.5.
• Dedicated 5-24 V Emergency Stop sense input	Section 2.4.
• Auxiliary quadrature encoder input channels	Section 2.5.1.
• Four digital outputs (opto-isolated)	Section 2.5.3.
• Four digital inputs (opto-isolated)	Section 2.5.4.
• Two high-speed digital inputs (opto-isolated)	Section 2.5.5.
• One 16-bit analog output (± 10 VDC)	Section 2.5.6.
• One 16-bit analog differential input (± 10 VDC)	Section 2.5.7.
• Single-axis PSO capability	Section 2.5.2.
• One 24 VDC, 1 A brake relay	Section 2.6.
• Calibration	Refer to the Help file
• Camming	Refer to the Help file
• 10/100 BASE-T Ethernet port for use with Ethernet I/O modules	Refer to the Help file

Table 1-2: Ordering Options

Options	
Power Stage Options (Section 1.2.)	
10	10 A peak; 5 A continuous
20	20 A peak; 10 A continuous
30-S	30 A peak; 10 A continuous; 40 W continuous internal shunt resistor
I/O (Chapter 3) and Feedback (Section 2.3.1.3.) Options	
-IO	Expansion board with 16 digital inputs (opto-isolated); 16 digital outputs (opto-isolated); one 12-bit analog input; one 16-bit analog output
-MXU	Programmable encoder multiplier up to x1024 (x4,096 after quadrature); no real-time output
Drive Options	
-S	Internal shunt resistor (standard on CP30). 50 Ohm, 40 W Continuous; 400 W Peak (5 seconds), (Manufacturer's P/N: Ohmite F40J50RE or equivalent) NOTE: Excludes -EXTSHUNT option
-EXTSHUNT	Two-pin connector for external shunt resistor network (Section 2.8.). NOTE: Excludes -S option.
Software Options (refer to the Soloist Help file for more information)	
-EIP	Enable EtherNet/IP™ on the master drive;
-DCT	Enable the Dynamic Controls Toolbox on the master drive;
-ETM	Enable the Enhanced Throughput Module on the master drive
-ETC	Enhanced Tracking Control for reduced dynamic following error and settling times; effectiveness may be limited for low-resolution axes. Refer to the Help file.
-LCK	Locked drive; firmware and calibration data on the drive cannot be modified by the user; the drive must be returned if updates are required; read/write access to parameters and programs is supported

The following block diagram shows a connection summary. For detailed connection information, refer to Chapter 2 and Chapter 3.

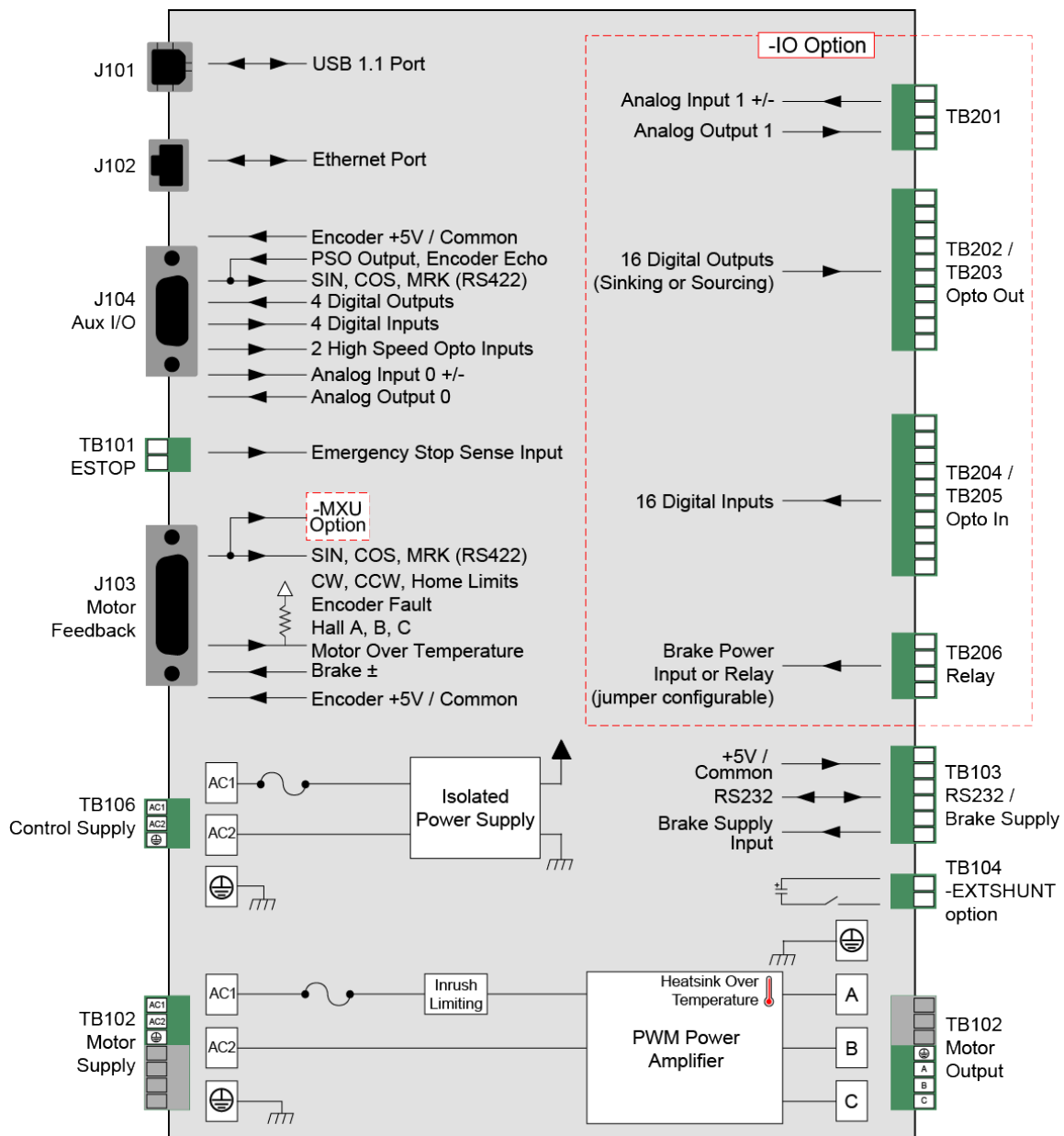


Figure 1-2: Functional Diagram

1.1. Drive and Software Compatibility

The following table lists the available drives and which version of the software first supported the drive. Drives that list a specific version number in the **Last Software Version** column will not be supported after the listed version.

Table 1-3: Drive and Software Compatibility

Drive Type	Firmware Revision	First Software Version	Last Software Version
CP	-	1.00	Current
	A	2.01	Current
	B	2.54	Current

1.2. Electrical Specifications

Table 1-4: Electrical Specifications

Description		CP 10	CP 20	CP 30
Motor Supply	Input Voltage	14-240 VAC		
	Input Frequency	50-60 Hz		
	Inrush Current	32 A @ 230 VAC; 16 A @ 115 VAC		
	Maximum Continuous Input Current	5 A _{rms}	10 A _{rms}	10 A _{rms}
	Input Current	Refer to Section 1.2.1. System Power Requirements		
Control Supply	Input Voltage	85-240 VAC		
	Input Frequency	50-60 Hz		
	Inrush Current	26 A		
	Input Current	.25 A max		
Output Voltage ⁽¹⁾	20-340 VDC			
Peak Output Current (1 second)	10 A	20 A	30 A	
Continuous Output Current	5 A	10 A	10 A	
Power Amplifier Bandwidth	2500 Hz maximum (software selectable)			
Power Amplifier Efficiency	85% - 95% ⁽²⁾			
PWM Switching Frequency	20 kHz			
Minimum Load Inductance	0.1 mH @ 160 VDC (1 mH @ 320 VDC)			
User Power Supply Output	5 VDC (@ 500 mA)			
Modes of Operation	Brushless; Brush; Stepper			
Protective Features	Output short circuit; Peak over current; DC bus over voltage; RMS over current; Over temperature; Control power supply under voltage; Power stage bias supply under voltage			
Isolation	Optical and transformer isolation between control and power stages.			
(1) AC input voltage and load dependent.				
(2) Dependent on total output power: efficiency increases with increasing output power.				

1.2.1. System Power Requirements

The following equations can be used to determine total system power requirements. The actual power required from the mains supply will be the combination of actual motor power (work), motor resistance losses, and efficiency losses in the power electronics or power transformer. An EfficiencyFactor of approximately 90% should be used in the following equations.

Brushless Motor

Output Power

Rotary Motors $P_{out} [W] = \text{Torque [N}\cdot\text{m]} * \text{Angular velocity[rad/sec]}$

Linear Motors $P_{out} [W] = \text{Force [N]} * \text{Linear velocity[m/sec]}$

Rotary or Linear Motors $P_{out} [W] = \text{Bemf [V]} * I(\text{rms}) * 3$

$$P_{loss} = 3 * I(\text{rms})^2 * R(\text{line-line})/2$$

$$P_{in} = \text{SUM} (P_{out} + P_{loss}) / \text{EfficiencyFactor}$$

DC Brush Motor

$$P_{out} [W] = \text{Torque [N}\cdot\text{m]} * \text{Angular velocity[rad/sec]}$$

$$P_{loss} = I(\text{rms})^2 * R$$

$$P_{in} = \text{SUM} (P_{out} + P_{loss}) / \text{EfficiencyFactor}$$

1.2.2. Power Dissipation

The amplifier power dissipation under continuous power supply and output current conditions is shown in Figure 1-3. The values on the graph represent the peak current that the amplifier would provide during operation. When the bus voltage and output current are known, the amplifier power dissipation is found using this graph. Figure 1-4 shows the maximum recommended ambient temperature as a function of amplifier power dissipation. Use this graph along with the power dissipation obtained from the first graph to determine the maximum ambient temperature. If the result is lower than the known operating ambient temperature, additional measures are required to cool the Soloist CP. Mounting it to a large metal plate for extra heat-sinking and providing additional fan flow are suggested.

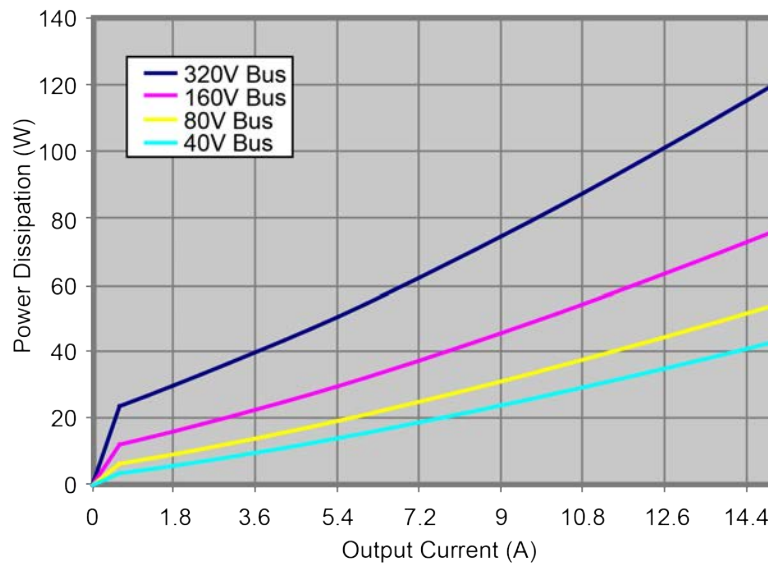


Figure 1-3: Power Dissipation vs. Output Current

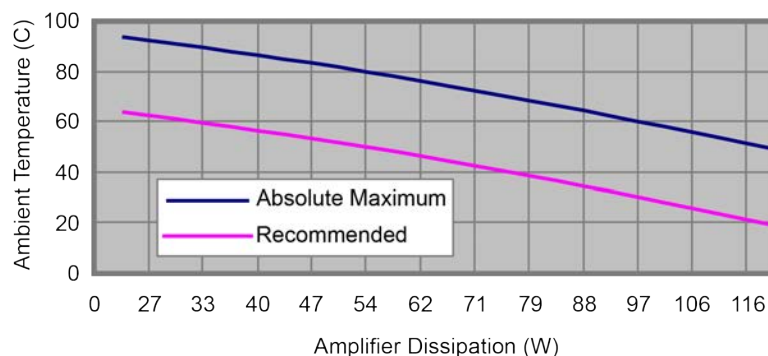


Figure 1-4: Ambient Temperature vs. Power Dissipation

EXAMPLE:

320 VDC Bus operation at 5 A
 Power Dissipation = 47 Watts
 Maximum Ambient Temperature = 54°C

1.3. Mechanical Design

Install the unit into a construction compliant for unlimited circuits enclosure. Each unit should be separated from other drives and surrounded by 25 mm (1") of free air space. A space of 100 mm (4") should be allowed along the front of the unit for cable connections.

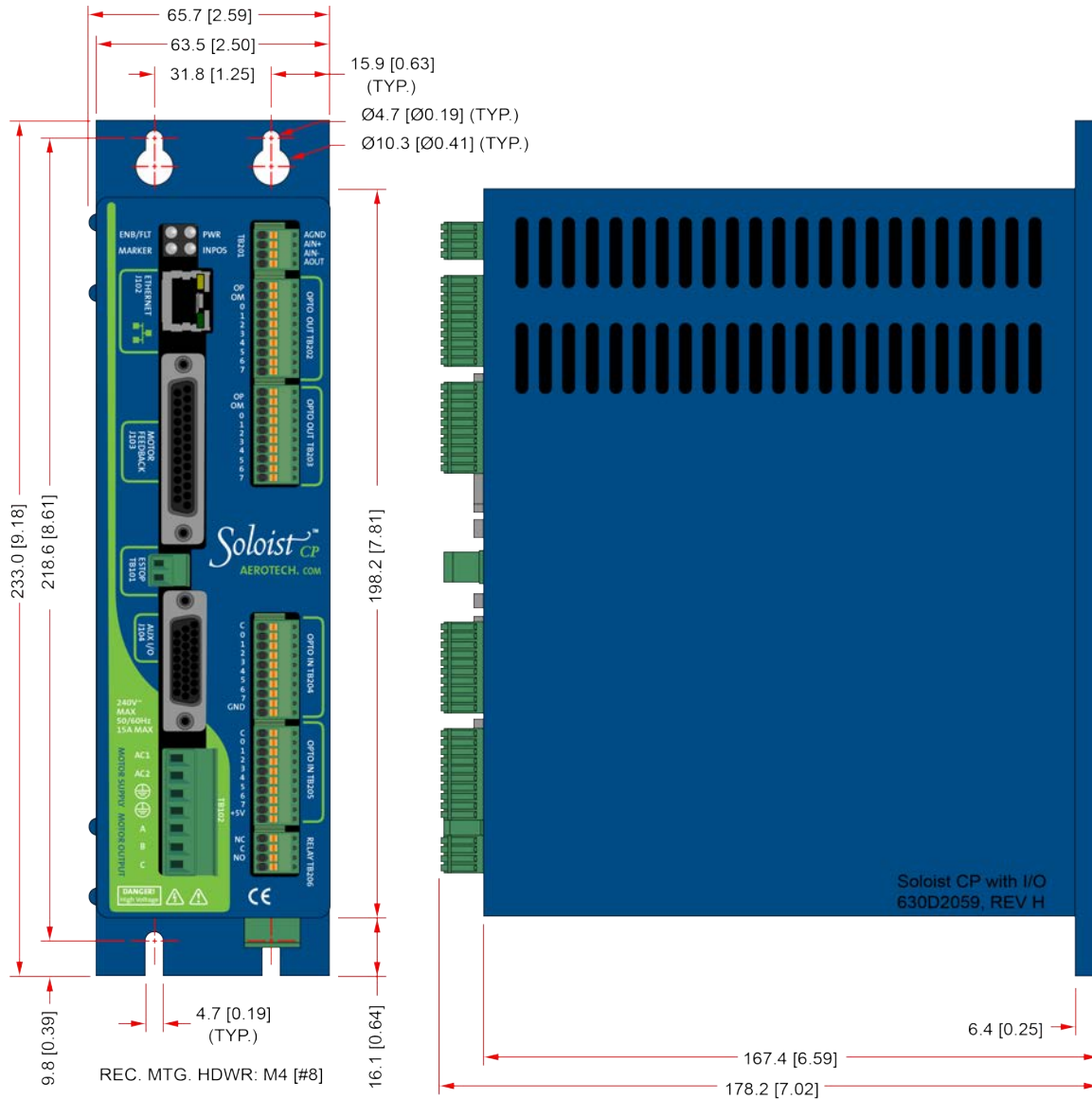


Figure 1-5: Dimensions

Table 1-5: Physical Specifications

	Weight
Standard	1.63 kg (3.6 lb)

1.4. Environmental Specifications

The environmental specifications for the Soloist CP are listed below.

Ambient Temperature	Operating: 0° to 50°C (32° to 122° F)
	Storage: -30° to 85°C (-22° to 185° F)
Humidity	Maximum relative humidity is 80% for temperatures up to 31°C. Decreasing linearly to 50% relative humidity at 40°C. Non condensing.
Altitude	Up to 2000 meters.
Pollution	Pollution degree 2 (normally only non-conductive pollution).
Use	Indoor use only.

This page intentionally left blank.

Chapter 2: Installation and Configuration

2.1. Power Connections

The Soloist CP has two AC input connectors; one for control power and a second for motor power. For a complete list of electrical specifications, refer to [Section 1.2](#).

NOTE: The machine integrator, OEM or end user is responsible for meeting the final protective grounding requirements of the system.

2.1.1. Control Supply Connections (TB106)

NOTE: This product requires two power supply connections. The Motor Supply and Control Supply must both be connected for proper operation.

The control power supply input allows the Soloist CP to maintain communications if the motor power is removed, such as in an Emergency Stop condition. The control power supply requires a minimum of 85 VAC input to operate properly. The AC1 input is internally fused. The AC2 input is not internally fused but can be connected to a voltage source other than Neutral if an external 2 A time-delay fuse is used.

Although the control power supply contains an internal filter, an additional external filter located as close as possible to the Soloist CP may be required for CE compliance (Aerotech recommends Schaffner FN2080 or Aerotech UFM-ST).

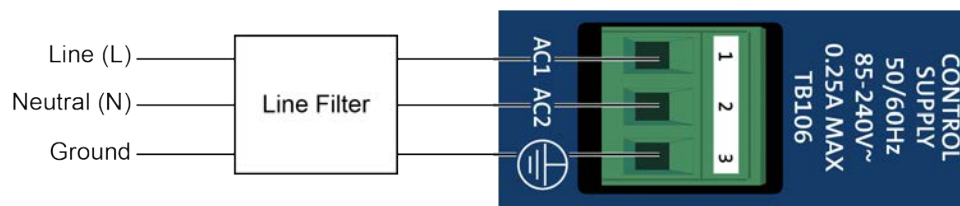


Figure 2-1: Control Supply Connections

Table 2-1: Control Supply AC Input Wiring

Pin	Description	Recommended Wire Size ⁽¹⁾
AC1	Line (L): 85-240 VAC Control Power Input	0.8 mm ² (#18 AWG)
AC2	Neutral (0V) or 85-240 VAC Control Power Input with external fuse	0.8 mm ² (#18 AWG)
⊕	Protective Ground (Required for Safety)	0.8 mm ² (#18 AWG)

(1) Refer to local electrical safety requirements to correctly size external system wires.

Table 2-2: Mating Connector Part Numbers for the Control Supply Connector

Type	Aerotech P/N	Phoenix P/N	Screw Torque Value: Nm	Wire Size: mm ² [AWG]
3-Pin Terminal Block	ECK00213	1754465	0.5 - 0.6	3.3 - 0.516 [12-30]

2.1.2. Motor Supply Connections (TB102)

NOTE: This product requires two power supply connections. The Motor Supply and Control Supply must both be connected for proper operation.

Motor power is applied to the Soloist CP Motor Supply connector (refer to [Figure 2-2](#) for locations).

Refer to local electrical safety requirements to correctly size external system wires and match wires to fuses or circuit breakers.

The AC1 input is internally fused (5A CP10, 10A CP20/30). External fuses or a circuit breaker (15 A maximum, time delay type) are required for the AC1 and AC2 inputs. The AC2 input can be connected directly to Neutral without a fuse for single phase power systems.



WARNING: Do not operate the Soloist CP without the safety ground connection in place.



WARNING: Do not operate the Soloist CP without proper branch protection.

An AC Line Filter may be required for CE compliance and should be located as close as possible to the drive. For more information about the AC Line Filter, refer to [Section 2.1.4](#). Wiring between the filter and drive can be twisted and/or shielded to reduce radiated emissions.

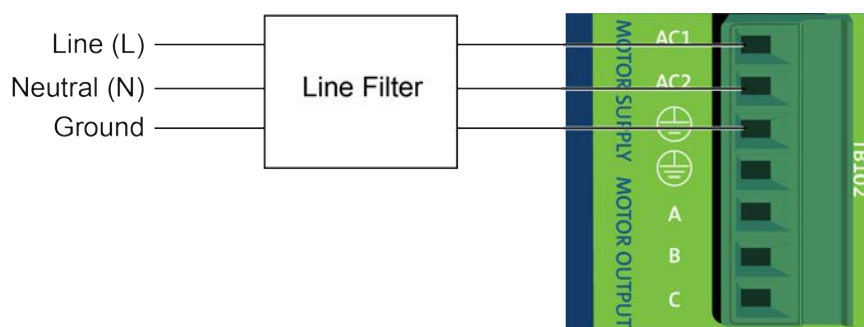


Figure 2-2: Motor Bus Input Connections

Table 2-3: Motor Supply Input Connections (TB102)

Pin	Description	Recommended Wire Size ⁽¹⁾
AC1	240 VAC Motor Power Input	1.3 mm ² (#16 AWG)
AC2	240 VAC Motor Power Input	1.3 mm ² (#16 AWG)
	Protective Ground (required for safety)	1.3 mm ² (#16 AWG)

(1) Refer to local electrical safety requirements to correctly size external system wires.

Table 2-4: Mating Connector Part Numbers for the Motor Supply Connector

Description	Aerotech P/N	Phoenix P/N	Tightening Torque (Nm)	Wire Size: mm ² [AWG]
7-Pin Terminal Block	ECK01114	1754546	0.5 - 0.6	3.3 - 0.516 [12-30]

2.1.3. Transformer Options

An external isolation transformer can be connected to the motor supply AC input. This is done to reduce the operating voltage of the motor and may also reduce electrical noise.

Table 2-5: Nominal Motor Operating Voltages / Required AC Voltages

AC Voltage	DC Voltage
28	40
56	80
115	160
230	320

Table 2-6: Transformer Options

Transformer	Description
TV0.3-28-56-ST	Generate 28 or 56 VAC from 115 VAC or 230 VAC input source voltage. When rectified by the drive, it produces a 40 or 80 VDC power bus.
TM3	Power up to 4 drives, providing 300 watts of power
TM5	Power up to 4 drives providing 500 watts of power
TV0.3-28	Generate 28 VAC from 115 VAC or 230 VAC input source voltage. When rectified by the drive, it produces a 40 VDC power bus.
TV0.3-56	Generate 56 VAC from 115 VAC or 230 VAC input source voltage. When rectified by the drive, it produces an 80 VDC power bus.
TV1.5, TV2.5, or TV5	1.5 kVA, 2.5 kVA, or 5 kVA isolation transformer; 115/230 VAC input; 28, 43, 56, 70, 115 VAC output

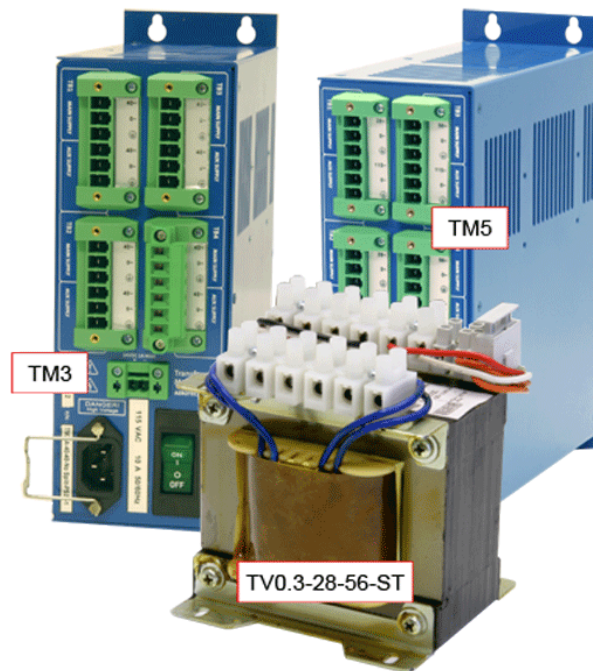


Figure 2-3: Transformer Examples

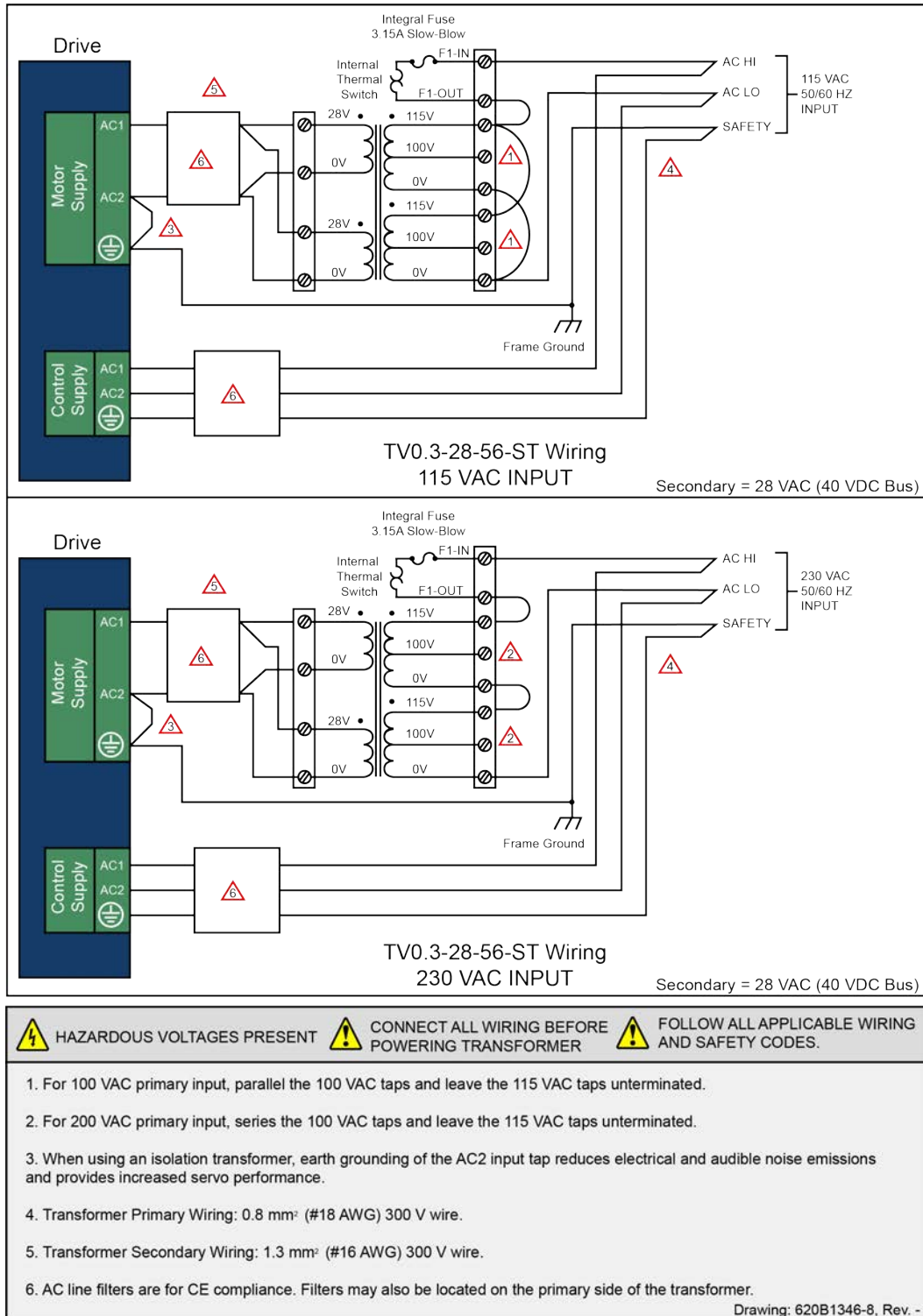


Figure 2-4: 40 VDC Motor Power with a TV0.3-28-56-ST Transformer

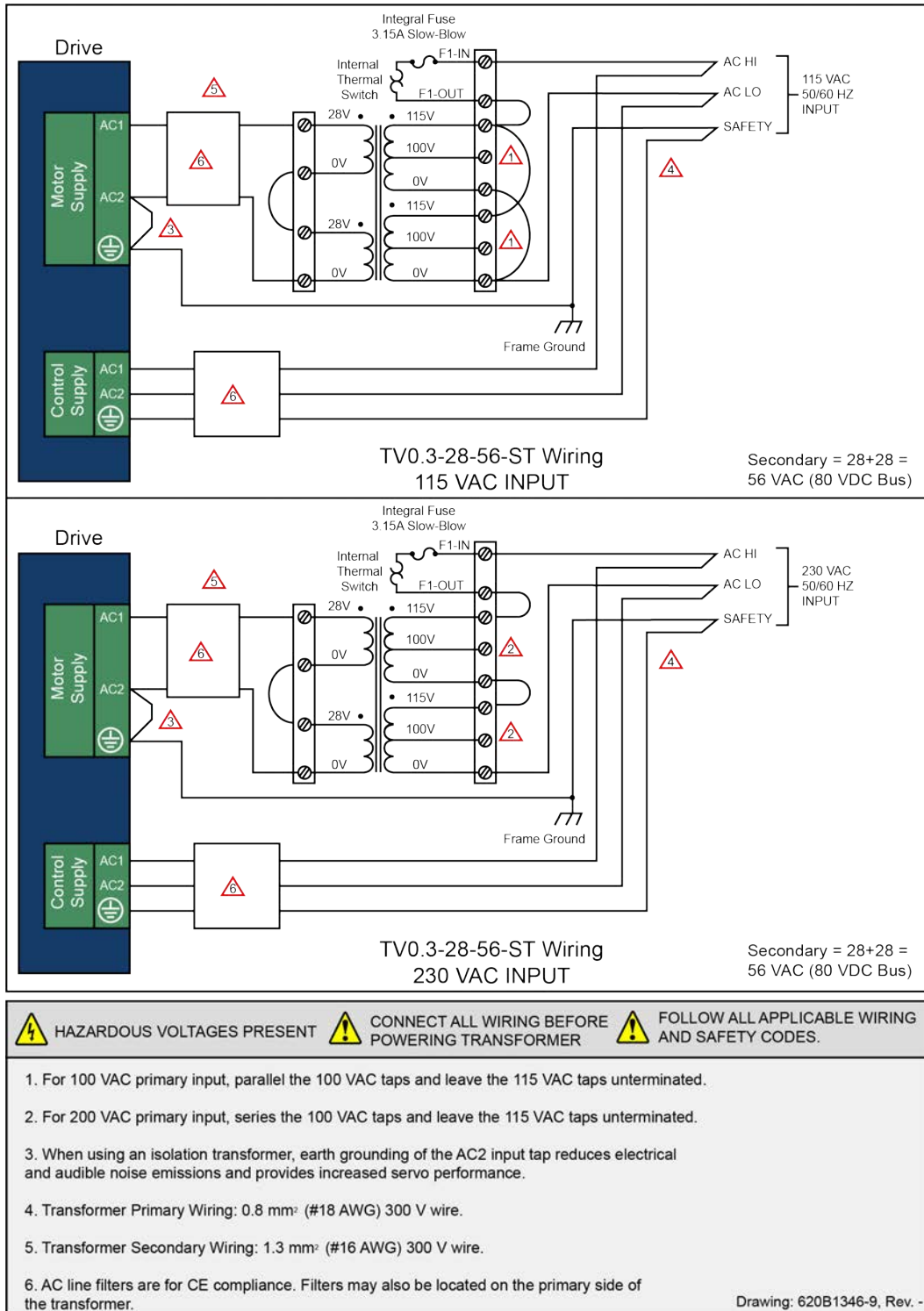


Figure 2-5: 80 VDC Motor Power with a TV0.3-28-56-ST Transformer

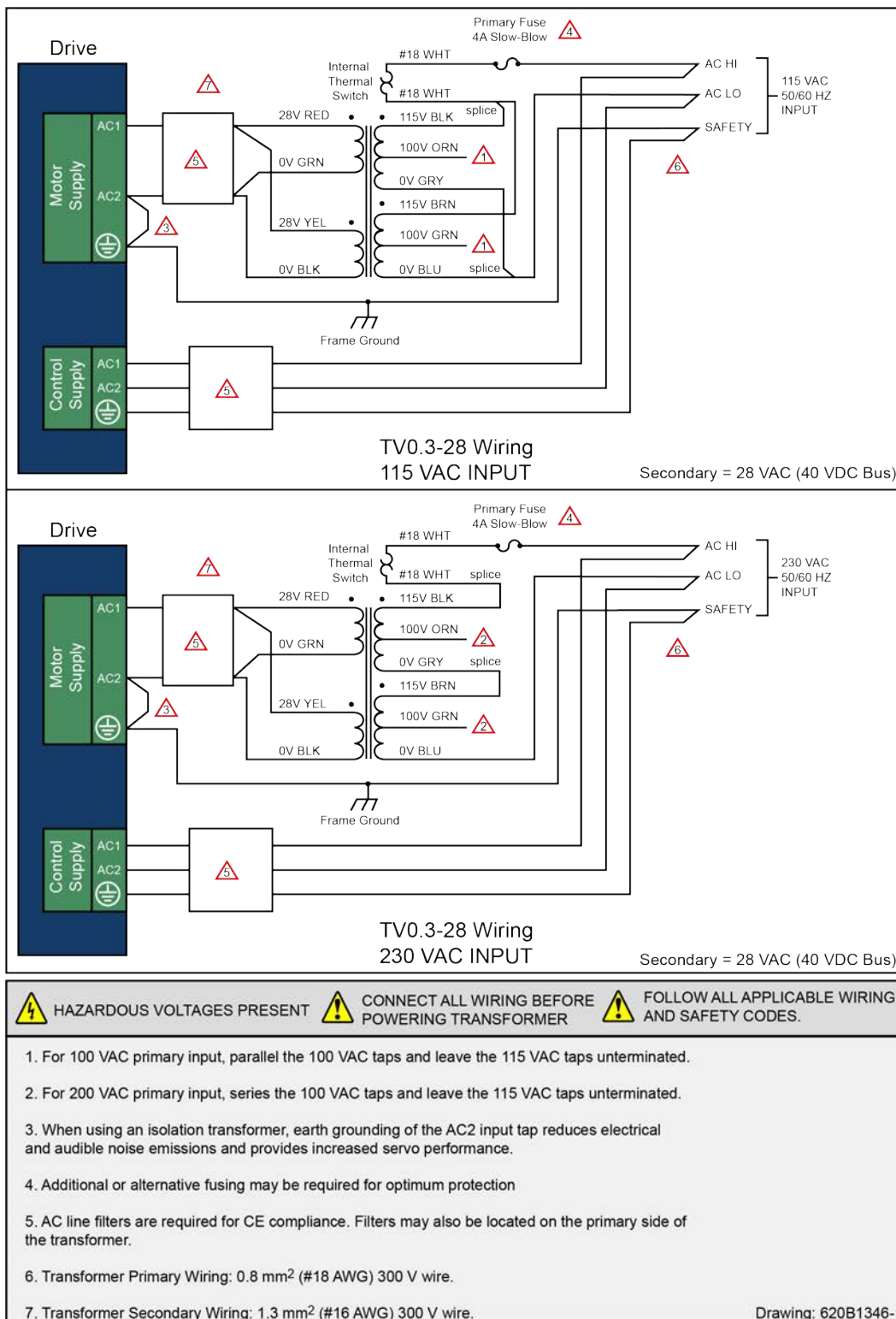


Figure 2-6: 40 Volt DC Bus from 115 and 230 VAC Source

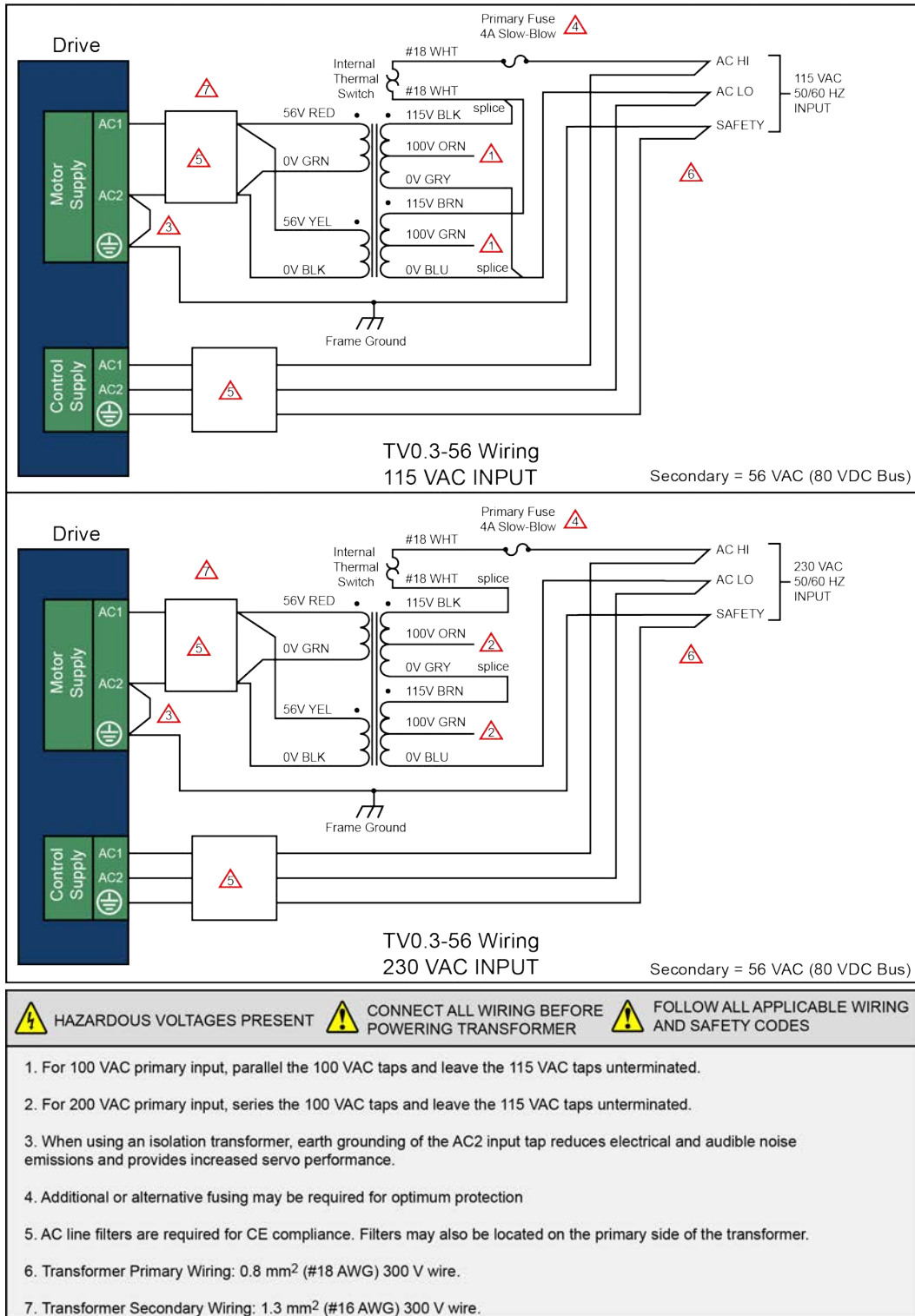


Figure 2-7: 80 Volt DC Bus from 115 and 230 VAC Source (TV0.3-56)

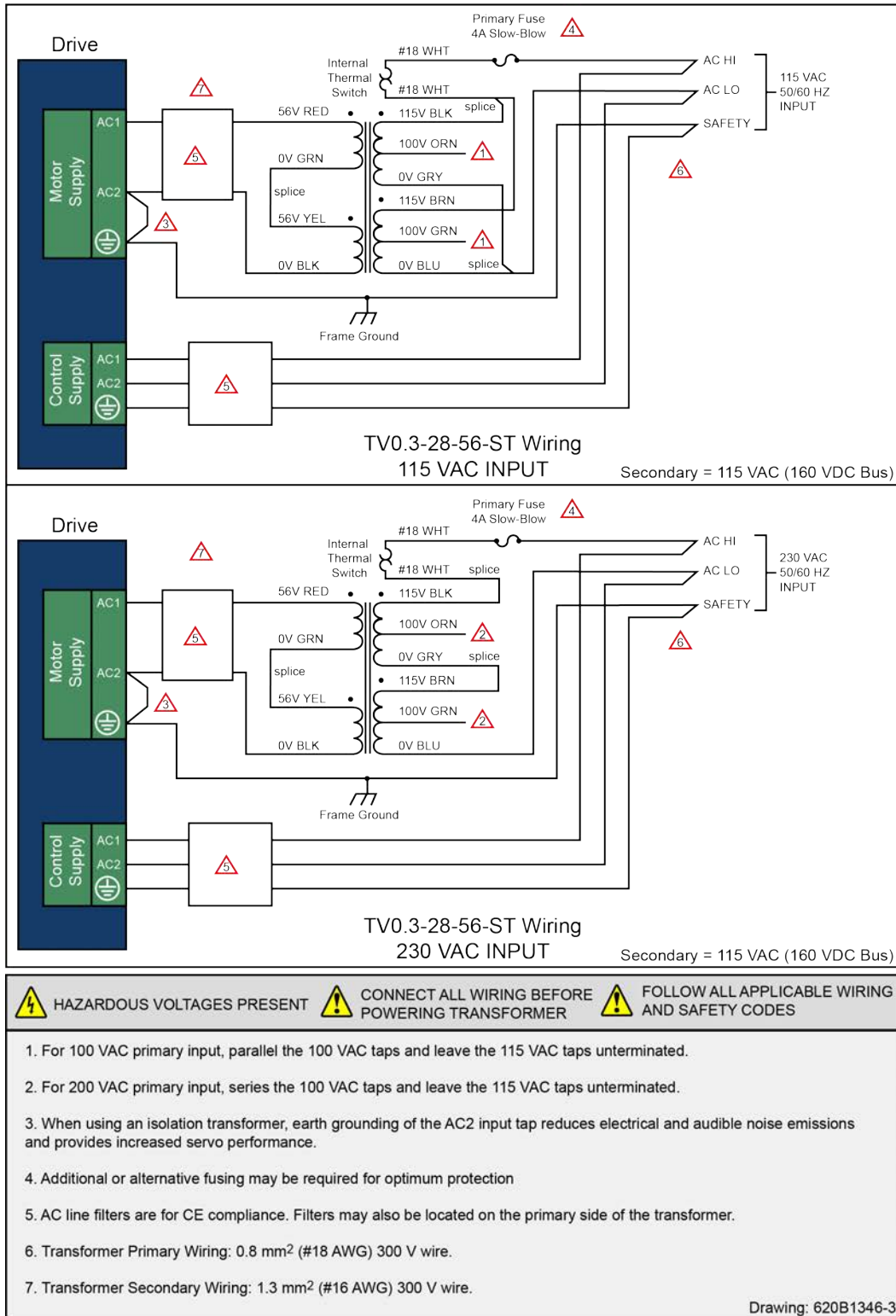


Figure 2-8: 160 Volt DC Bus from 115 and 230 VAC Source (TV0.3-56)

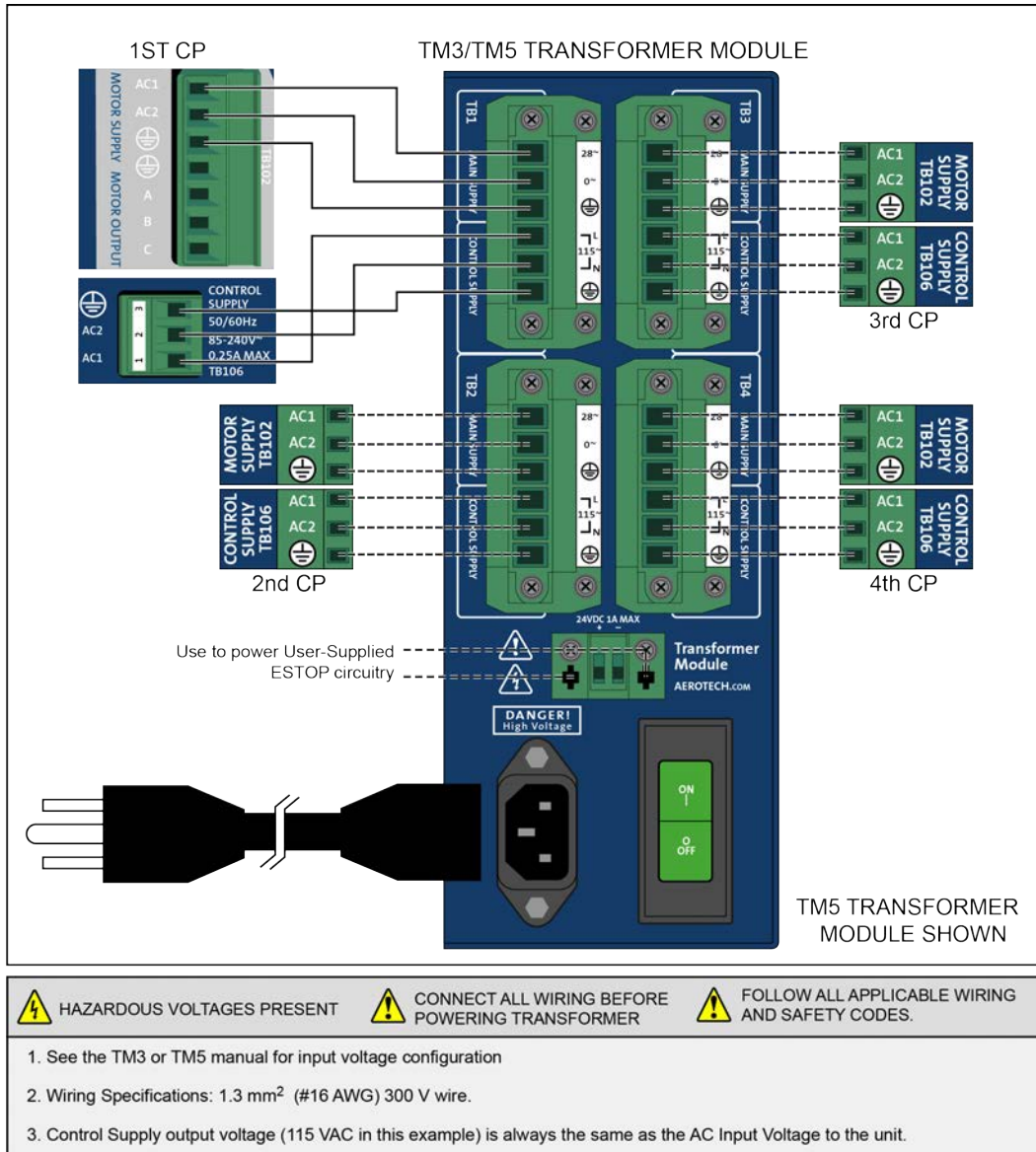


Figure 2-9: Control and Motor Power Wiring using a TM3 or TM5 Transformer

2.1.4. Minimizing Conducted, Radiated, and System Noise

The Soloist CP generates conducted (AC line) and radiated noise. Conducted emissions are minimized by using line filters and should be located as close to the drive as possible for maximum effectiveness. User connections to the product must be made using shielded cables with metal D-style connectors and back shells. The shield of the cables must be connected to the metal back shell in order for the product to conform to radiated emission standards. The Soloist CP is a component designed to be integrated with other electronics. EMC testing must be conducted on the final product configuration.

Ferrite beads can be used on the motor leads to reduce the effects of PWM noise.

Table 2-7: Ferrite Noise Suppression Numbers

Wire Size	Aerotech P/N	Third Party P/N
13.3 mm ² (#6 AWG)	N/A	#2643626502 Elna Fair-Rite Products
8.3 mm ² (#8 AWG)	ECZ00285	#2643626502 Elna Fair-Rite Products
2.0 mm ² (#14 AWG)	EIZ01027	#2643002402 Elna Fair-Rite Products
1.3 mm ² (#16 AWG)	EIZ01025	#2643250402 Elna Fair-Rite Products
0.8 mm ² (#18 AWG)	EIZ01001	#2673000801 Elna Fair-Rite Products
0.5 mm ² (#20 AWG)	EIZ01001	#2673000801 Elna Fair-Rite Products

Aerotech's UFM-ST AC line filter and isolation transformers connected to the motor supply AC input are also effective in reducing PWM generated noise and improving performance (refer to [Section 2.1.3.](#)).

Table 2-8: UFM-ST Electrical Specifications

Specification	Value
Input Voltage Range	0-240 VAC
Output Voltage Range	0-240 VAC
Maximum Continuous Current	8 A _{rms} with convection cooling 10 A _{rms} with forced air cooling
Frequency	50/60 Hz
Phases	Single Phase
Leakage Current	1.1 mA (max)
Fuse Protection	Internal 10 A fuses on AC1 and AC2 inputs

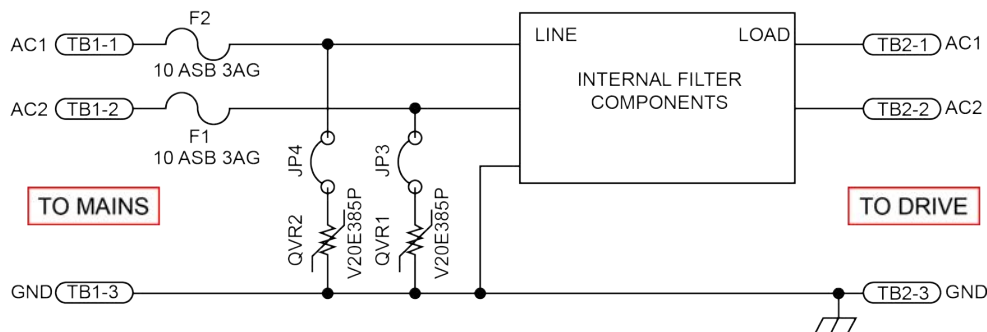


Figure 2-10: AC Line Filter (UFM-ST)

2.2. Motor Output Connections

The Soloist CP is capable of controlling three motor types:

- Brushless (see [Section 2.2.1.](#))
- DC Brush (see [Section 2.2.2.](#))
- Stepper (see [Section 2.2.3.](#))

For a complete list of electrical specifications, refer to [Section 1.2.](#)

Table 2-9: Motor Power Output Connections (TB102)


Pin	Description	Recommended Wire Size
ØA	Phase A Motor Lead	1.3 mm ² (#16 AWG)
ØB	Phase B Motor Lead	1.3 mm ² (#16 AWG)
ØC	Phase C Motor Lead	1.3 mm ² (#16 AWG)
	Earth Ground to Motor (required for safety)	1.3 mm ² (#16 AWG)

Table 2-10: Mating Connector Part Numbers for the Motor Power Output Connector

Description	Aerotech P/N	Phoenix P/N	Tightening Torque (Nm)	Wire Size: mm ² [AWG]
7-Pin Terminal Block	ECK01114	1754546	0.5 - 0.6	3.3 - 0.516 [12-30]

2.2.1. Brushless Motor Connections

The configuration shown in Figure 2-11 is an example of a typical brushless motor connection.

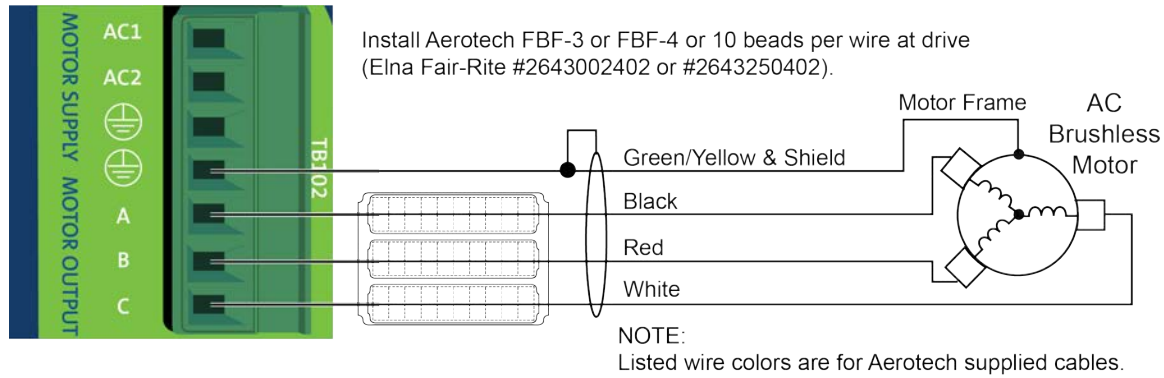


Figure 2-11: Brushless Motor Configuration

Table 2-11: Wire Colors for Aerotech Supplied Cables (Brushless)

Pin	Wire Color Set 1 ⁽¹⁾	Wire Color Set 2	Wire Color Set 3	Wire Color Set 4
⊕	Green/Yellow & Shield ⁽²⁾	Green/Yellow & Shield	Green/Yellow & Shield	Green/Yellow & Shield
A	Black	Blue & Yellow	Black #1	Black & Brown
B	Red	Red & Orange	Black #2	Red & Orange
C	White	White & Brown	Black #3	Violet & Blue

(1) Wire Color Set #1 is the typical Aerotech wire set used by Aerotech.
 (2) "&" (Red & Orange) indicates two wires; "/" (Green/White) indicates a single wire

NOTE: Brushless motors are commutated electronically by the controller. The use of Hall effect devices for commutation is recommended.

The controller requires that the Back-EMF of each motor phase be aligned with the corresponding Hall-effect signal. To ensure proper alignment, motor, Hall, and encoder connections should be verified using one of the following methods: *powered*, through the use of a test program; or *unpowered* using an oscilloscope. Both methods will identify the A, B, and C Hall/motor lead sets and indicate the correct connections to the controller. Refer to Section 2.2.1.1. for powered motor phasing or Section 2.2.1.2. for unpowered motor and feedback phasing.

NOTE: If using standard Aerotech motors and cables, motor and encoder connection adjustments are not required.

2.2.1.1. Powered Motor Phasing

Refer to the Motor Phasing Calculator in the Configuration Manager for motor, Hall, and encoder phasing.

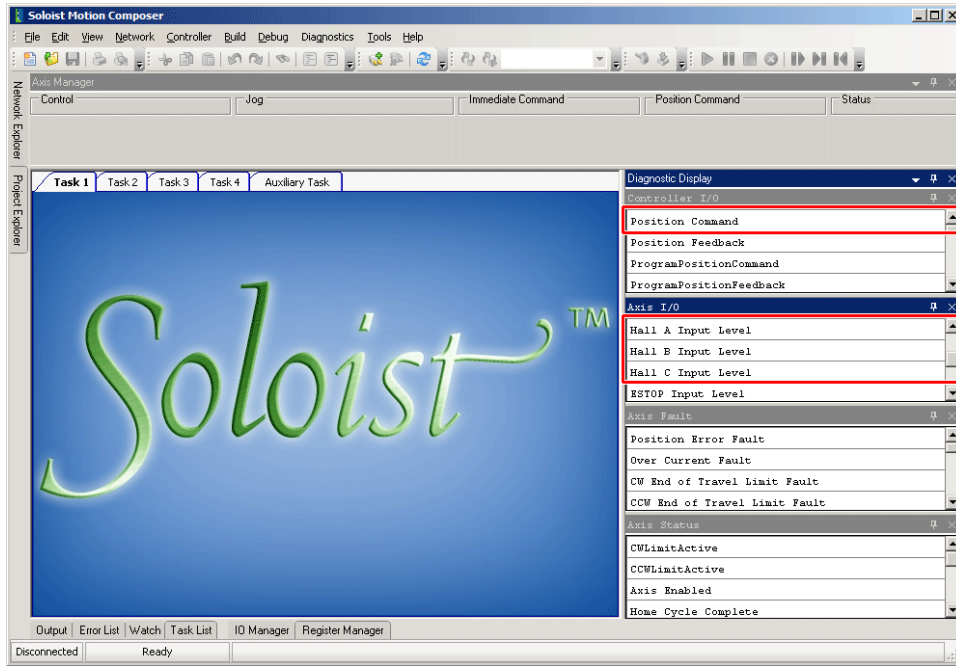


Figure 2-12: Encoder and Hall Signal Diagnostics

2.2.1.2. Unpowered Motor and Feedback Phasing

Disconnect the motor from the controller and connect the motor in the test configuration shown in [Figure 2-13](#). This method will require a two-channel oscilloscope, a 5V power supply, and six resistors (10,000 ohm, 1/4 watt). All measurements should be made with the probe common of each channel of the oscilloscope connected to a neutral reference test point (TP4, shown in [Figure 2-13](#)). Wave forms are shown while moving the motor in the positive direction.

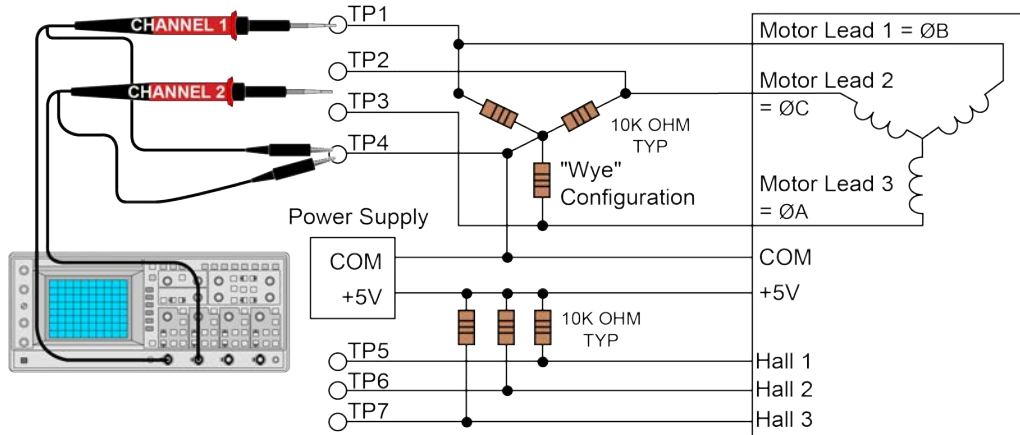


Figure 2-13: Motor Phasing Oscilloscope Example

With the designations of the motor and Hall leads of a third party motor determined, the motor can now be connected to an Aerotech system. Connect motor lead A to motor connector A, motor lead B to motor connector B, and motor lead C to motor connector C. Hall leads should also be connected to their respective feedback connector pins (Hall A lead to the Hall A feedback pin, Hall B to Hall B, and Hall C to Hall C). The motor is correctly phased when the Hall states align with the Back EMF as shown in ([Figure 2-14](#)). Use the CommutationOffset parameter to correct for Hall signal misalignment.

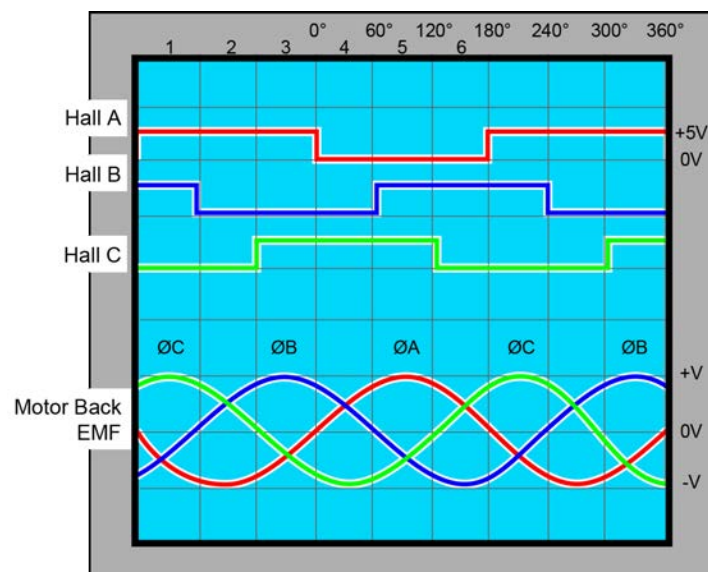


Figure 2-14: Brushless Motor Phasing Goal

2.2.2. DC Brush Motor Connections

The configuration shown in [Figure 2-15](#) is an example of a typical DC brush motor connection. Refer to [Section 2.2.2.1](#) for information on motor phasing.

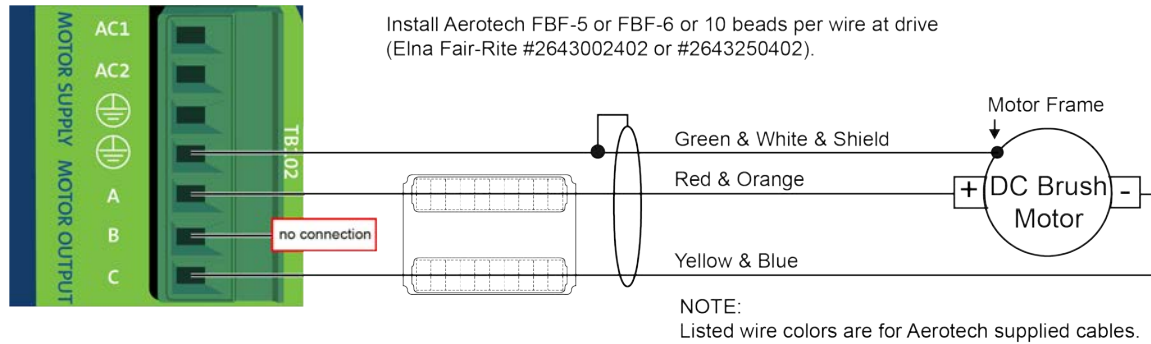


Figure 2-15: DC Brush Motor Configuration

Table 2-12: Wire Colors for Aerotech Supplied Cables (DC Brush)

Pin	Wire Color Set 1 ⁽¹⁾	Wire Color Set 2	Wire Color Set 3
⊕	Green & White & Shield ⁽²⁾	Green/Yellow & Shield	Green/Yellow & Shield
A	Red & Orange	Red	Red & Orange
C	Yellow & Blue	Black	Yellow & Blue

(1) Wire Color Set #1 is the typical Aerotech wire set used by Aerotech.
 (2) "&" (Red & Orange) indicates two wires; "/" (Green/White) indicates a single wire

2.2.2.1. DC Brush Motor Phasing

A properly phased motor means that the positive motor lead should be connected to the $\emptyset A$ motor terminal and the negative motor lead should be connected to the $\emptyset C$ motor terminal. To determine if the motor is properly phased, connect a voltmeter to the motor leads of an un-powered motor:

1. Connect the positive lead of the voltmeter to the one of the motor terminals.
2. Connect the negative lead of the voltmeter to the other motor terminal.
3. Rotate the motor clockwise by hand.

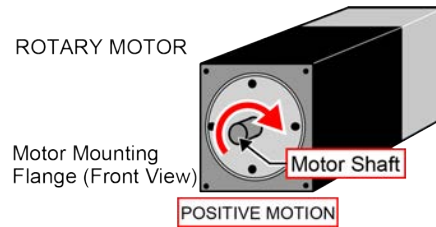


Figure 2-16: Clockwise Motor Rotation

4. If the voltmeter indicates a negative value, swap the motor leads and rotate the motor (CW, by hand) again. When the voltmeter indicates a positive value, the motor leads have been identified.
5. Connect the motor lead from the voltmeter to the $\emptyset A$ motor terminal on the Soloist CP. Connect the motor lead from the negative lead of the voltmeter to the $\emptyset C$ motor terminal on the Soloist CP.

NOTE: If using standard Aerotech motors and cables, motor and encoder connection adjustments are not required.

2.2.3. Stepper Motor Connections

The configuration shown in [Figure 2-17](#) is an example of a typical stepper motor connection. Refer to [Section 2.2.3.1](#) for information on motor phasing.

In this case, the effective motor voltage is half of the applied bus voltage. For example, an 80V motor bus supply is needed to get 40V across the motor.

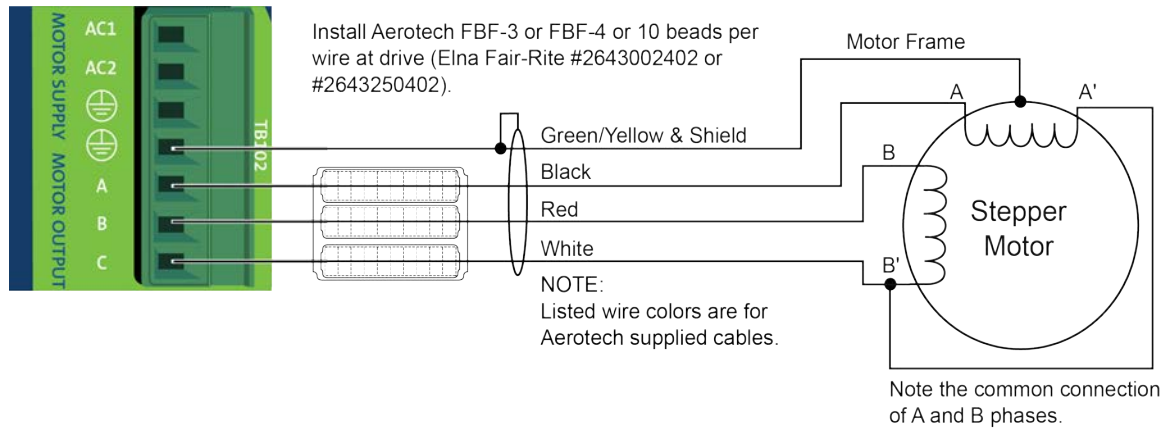


Figure 2-17: Stepper Motor Configuration

Table 2-13: Wire Colors for Aerotech Supplied Cables (Stepper)

Pin	Wire Color Set 1 ⁽¹⁾	Wire Color Set 2
⊕	Green/Yellow & Shield ⁽²⁾	Green/Yellow & Shield
A	Black	Brown
B	Red	Yellow
C	White	White & Red

(1) Wire Color Set #1 is the typical Aerotech wire set used by Aerotech.
(2) "&" (Red & Orange) indicates two wires; "/" (Green/White) indicates a single wire

2.2.3.1. Stepper Motor Phasing

A stepper motor can be run with or without an encoder. If an encoder is not being used, phasing is not necessary. With an encoder, test for proper motor phasing by running a positive motion command.

If there is a positive scaling factor (determined by the CountsPerUnit parameters) and the motor moves in a clockwise direction, as viewed looking at the motor from the front mounting flange, the motor is phased correctly. If the motor moves in a counterclockwise direction, swap the motor leads and re-run the command.

Proper motor phasing is important because the end of travel (EOT) limit inputs are relative to motor rotation.

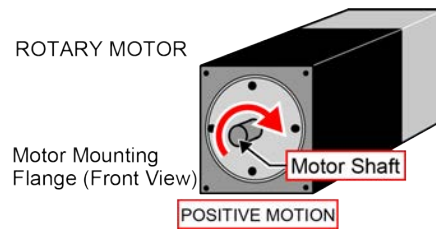


Figure 2-18: Clockwise Motor Rotation

NOTE: If using standard Aerotech motors and cables, motor and encoder connection adjustments are not required.

NOTE: After the motor has been phased, use the ReverseMotionDirection parameter to change the direction of “positive” motion.

2.3. Motor Feedback Connections (J103)

The motor feedback connector (a 25-pin, D-style connector) has inputs for an encoder, limit switches, Hall-effect devices, motor over-temperature device, 5 Volt encoder and limit power, and optional brake connection. The connector pin assignment is shown below with detailed connection information in the following sections.

Table 2-14: Motor Feedback Connector Pinout (J103)

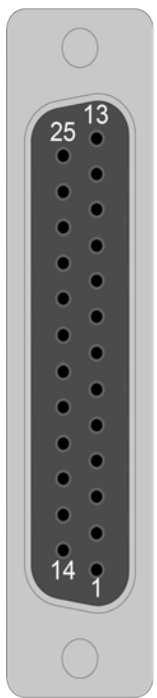
Pin#	Description	In/Out/Bi	Connector
1	Chassis Frame Ground	N/A	
2	Motor Over Temperature Thermistor	Input	
3	+5V Power for Encoder (500 mA max)	Output	
4	Reserved	N/A	
5	Hall-Effect Sensor B (brushless motors only)	Input	
6	Encoder Marker Reference Pulse -	Input	
	Absolute Encoder Interface Clock -	Output	
7	Encoder Marker Reference Pulse +	Input	
	Absolute Encoder Interface Clock +	Output	
8	Absolute Encoder Interface Data -	Bidirectional	
9	Reserved	N/A	
10	Hall-Effect Sensor A (brushless motors only)	Input	
11	Hall-Effect Sensor C (brushless motors only)	Input	
12	Clockwise End of Travel Limit	Input	
13	Brake Output -	Output	
14	Encoder Cosine +	Input	
15	Encoder Cosine -	Input	
16	+5V Power for Limit Switches (500 mA max)	Output	
17	Encoder Sine +	Input	
18	Encoder Sine -	Input	
19	Absolute Encoder Interface Data +	Bidirectional	
20	Signal Common for Limit Switches	N/A	
21	Signal Common for Encoder	N/A	
22	Home Switch Input	Input	
23	Encoder Fault Input	Input	
24	Counterclockwise End of Travel Limit	Input	
25	Brake Output +	Output	

Table 2-15: Mating Connector Part Numbers for the Motor Feedback Connector (J103)

Mating Connector	Aerotech P/N	Third Party P/N
25-Pin D-Connector	ECK00101	FCI DB25P064TXLF
Backshell	ECK00656	Amphenol 17E-1726-2

2.3.1. Encoder Interface (J103)

The Soloist CP is equipped with standard and auxiliary encoder feedback channels. The standard encoder interface is accessible through the Motor Feedback (J103) connector. The standard encoder interface will accept an RS-422 differential line driver signal. If the Soloist CP has been purchased with the -MXU option, the standard encoder interface can be configured for an analog encoder input via parameter settings.

Refer to [Section 2.3.1.4.](#) for encoder feedback phasing. Refer to [Section 2.5.](#) for the auxiliary encoder channel.

NOTE: Encoder wiring should be physically isolated from motor, AC power, and all other power wiring.

NOTE: The PSO feature is **not** compatible with the -MXU option. The PSO feature operates with the -MXH option and with square wave encoders.

Table 2-16: Encoder Interface Pins on the Motor Feedback Connector (J103)

Pin#	Description	In/Out/BI
1	Chassis Frame Ground	N/A
3	+5V Power for Encoder (500 mA max)	Output
6	Encoder Marker Reference Pulse -	Input
	Absolute Encoder Interface Clock -	Output
7	Encoder Marker Reference Pulse +	Input
	Absolute Encoder Interface Clock +	Output
14	Encoder Cosine +	Input
15	Encoder Cosine -	Input
17	Encoder Sine +	Input
18	Encoder Sine -	Input
21	Signal Common for Encoder	N/A

2.3.1.1. RS-422 Line Driver Encoder (Standard)

The standard encoder interface accepts an RS-422 differential quadrature line driver signal. Invalid or missing signals will cause a feedback fault when the axis is enabled.

An analog encoder is used with the -MXU option (refer to [Section 2.3.1.3](#) for more information).

Table 2-17: Encoder Specifications

Specification	Value
Encoder Frequency	10 MHz maximum (25 nsec minimum edge separation)
x4 Quadrature Decoding	40 million counts/sec

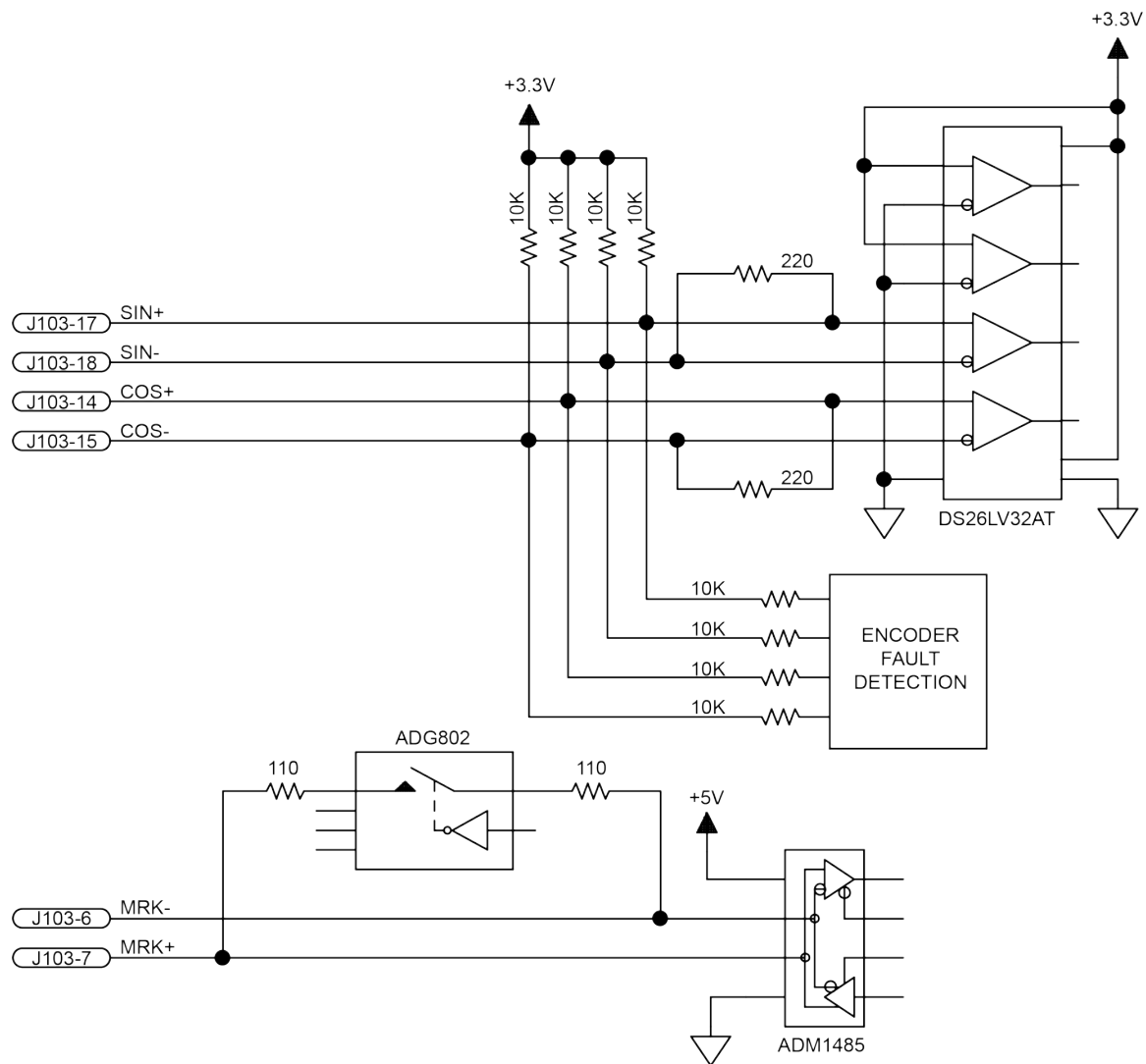


Figure 2-19: Line Driver Encoder Interface (J103)

2.3.1.2. Absolute Encoder Interface (J103)

The Soloist CP retrieves absolute position data along with encoder fault information via a serial data stream from the absolute encoder. See [Figure 2-20](#) for the serial data stream interface. Refer to the Help file for information on how to set up your EnDat or Resolute absolute encoder parameters.

The encoder interface pinout is indicated in [Section 2.3.1](#).

NOTE: The PSO feature is **not** compatible with the -MXU option. The PSO feature operates with the -MXH option and with square wave encoders.

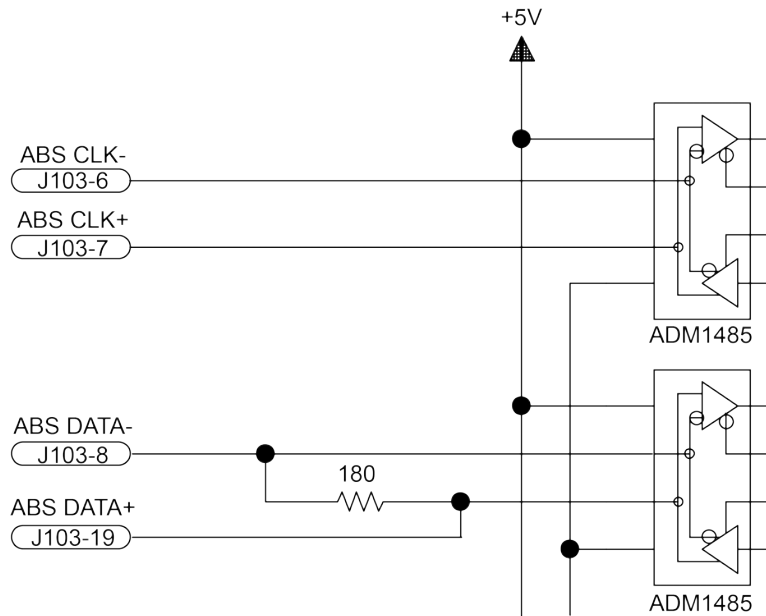


Figure 2-20: Serial Data Stream Interface

2.3.1.3. Analog Encoder Interface

If the -MXU option has been purchased, the standard encoder channel will accept a differential analog encoder input signal. The interpolation factor is determined by the EncoderMultiplicationFactor parameter and is software selectable (refer to the Soloist Help file).

Table 2-18: Analog Encoder Specifications

Specification	Value
Input Frequency (max)	200 kHz
Input Amplitude	0.6 to 2.25 Vpk-Vpk
Interpolation Factor (software selectable)	4,096

Refer to [Figure 2-21](#) for the typical input circuitry.

The encoder interface pin assignment is indicated in [Section 2.3.1](#).

The gain, offset, and phase balance of the analog Sine and Cosine encoder input signals can all be adjusted via controller parameters. Encoder signals should be adjusted using the Feedback Tuning tab of the Digital Scope, which will automatically adjust the encoder parameters for optimum performance. See the Soloist Help file for more information.

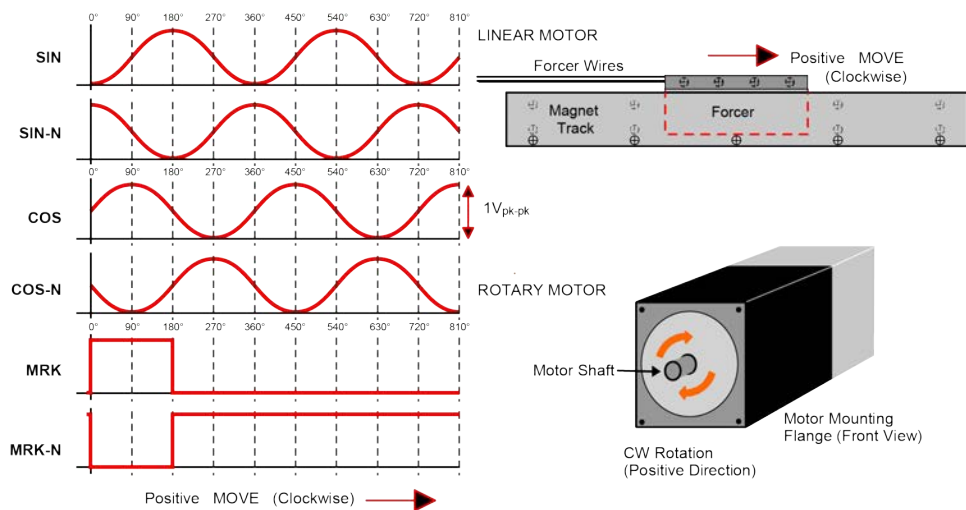


Figure 2-21: Analog Encoder Phasing Reference Diagram

NOTE: The input amplitude is measured peak to peak for any encoder signal (sin, sin-n, cos, cos-n) relative to signal common. These signals have a typical offset voltage of 2V to 2.5V.

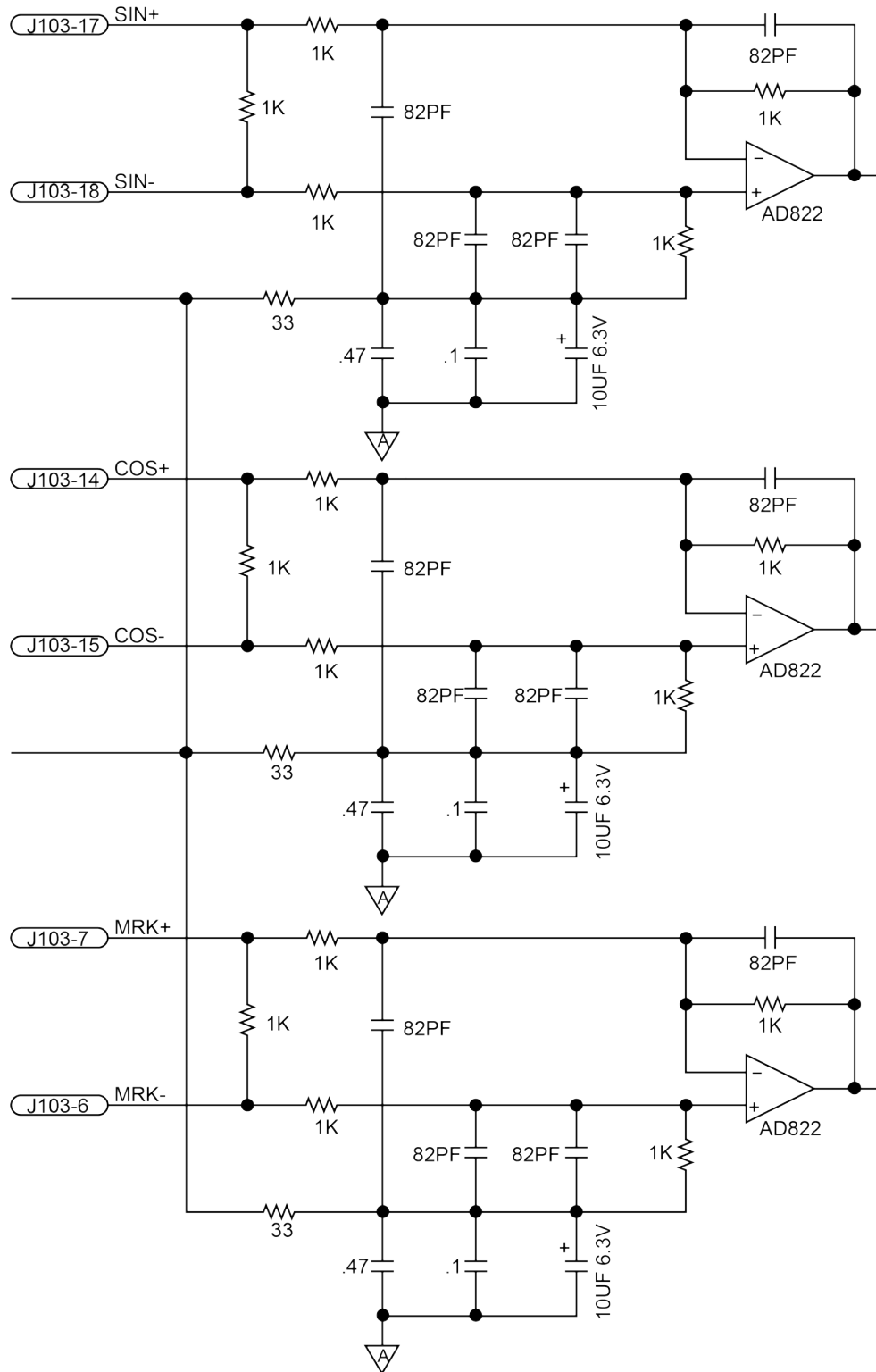


Figure 2-22: Analog Encoder Interface (J103)

2.3.1.4. Encoder Phasing

Incorrect encoder polarity will cause the system to fault when enabled or when a move command is issued. [Figure 2-23](#) illustrates the proper encoder phasing for clockwise motor rotation (or positive force movement for linear motors). To verify, move the motor by hand in the CW (positive) direction while observing the position of the encoder in the diagnostics display (see [Figure 2-24](#)). The Motor Phasing Calculator in the Configuration Manager can be used to determine proper encoder polarity.

For dual loop systems, the velocity feedback encoder is displayed in the diagnostic display ([Figure 2-24](#)).

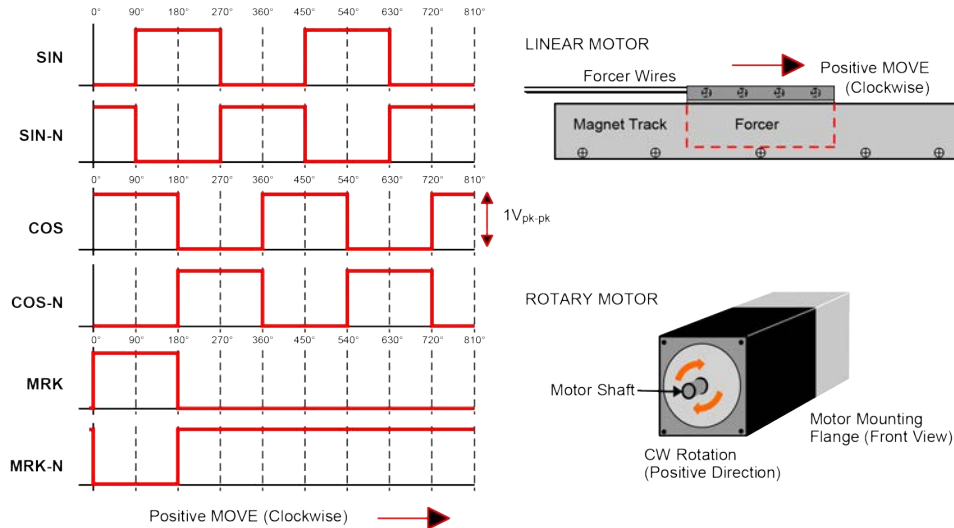


Figure 2-23: Encoder Phasing Reference Diagram (Standard)

NOTE: Encoder manufacturers may refer to the encoder signals as A, B, and Z. The proper phase relationship between signals is shown in [Figure 2-23](#).

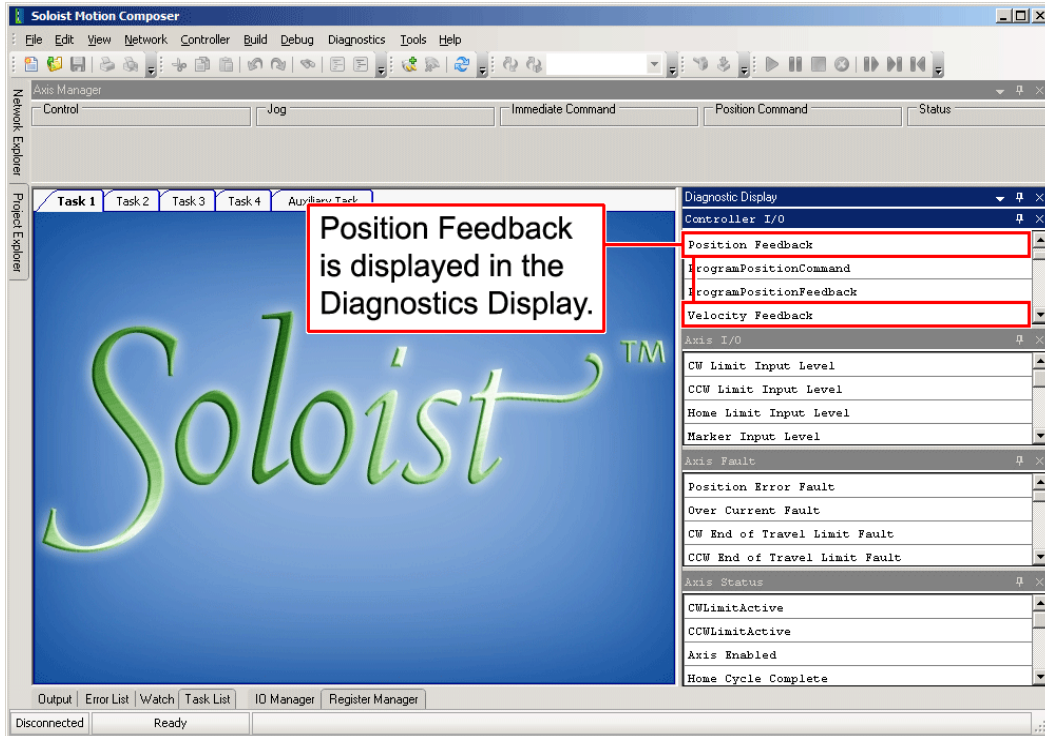


Figure 2-24: Position Feedback in the Diagnostic Display

2.3.2. Hall-Effect Interface (J103)

The Hall-effect switch inputs are recommended for AC brushless motor commutation but not absolutely required. The Hall-effect inputs accept 5-24 VDC level signals. Hall states (0,0,0) or (1,1,1) are invalid and will generate a "Hall Fault" axis fault.

Refer to [Section 2.2.1.1](#) for Hall-effect device phasing.

Table 2-19: Hall-Effect Feedback Interface Pins on the Motor Feedback Connector (J103)

Pin#	Description	In/Out/Bi
1	Chassis Frame Ground	N/A
3	+5V Power for Encoder (500 mA max)	Output
5	Hall-Effect Sensor B (brushless motors only)	Input
10	Hall-Effect Sensor A (brushless motors only)	Input
11	Hall-Effect Sensor C (brushless motors only)	Input
21	Signal Common for Encoder	N/A

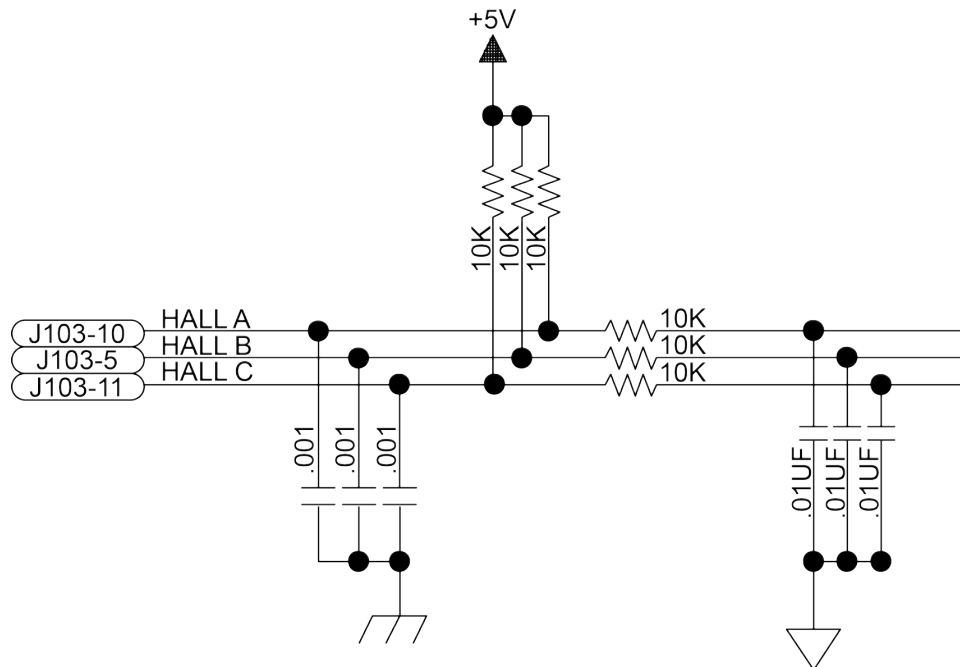


Figure 2-25: Hall-Effect Inputs (J103)

2.3.3. Thermistor Interface (J103)

The thermistor input is used to detect a motor over temperature condition by using a positive temperature coefficient sensor. As the temperature of the sensor increases, so does the resistance. Under normal operating conditions, the resistance of the thermistor is low (i.e., 100 ohms) which will result in a low input signal. As the increasing temperature causes the thermistor’s resistance to increase, the signal will be seen as a logic high triggering an over temperature fault. The nominal trip value of the sensor is 1k Ohm.

Table 2-20: Thermistor Interface Pin on the Motor Feedback Connector (J103)

Pin#	Description	In/Out/Bi
2	Motor Over Temperature Thermistor	Input

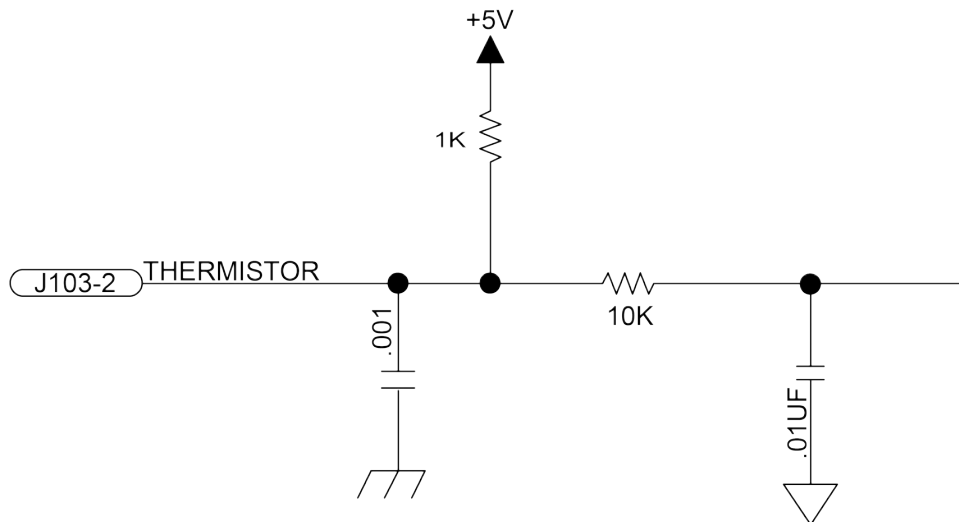


Figure 2-26: Thermistor Interface Input (J103)

2.3.4. Encoder Fault Interface (J103)

The encoder fault input is for use with encoders that have a fault output. This is provided by some manufactures and indicates a loss of encoder function. The active state of this input is parameter configurable and the controller should be configured to disable the axis when the fault level is active.

Table 2-21: Encoder Fault Interface Pin on the Motor Feedback Connector (J103)

Pin#	Description	In/Out/Bi
23	Encoder Fault Input	Input

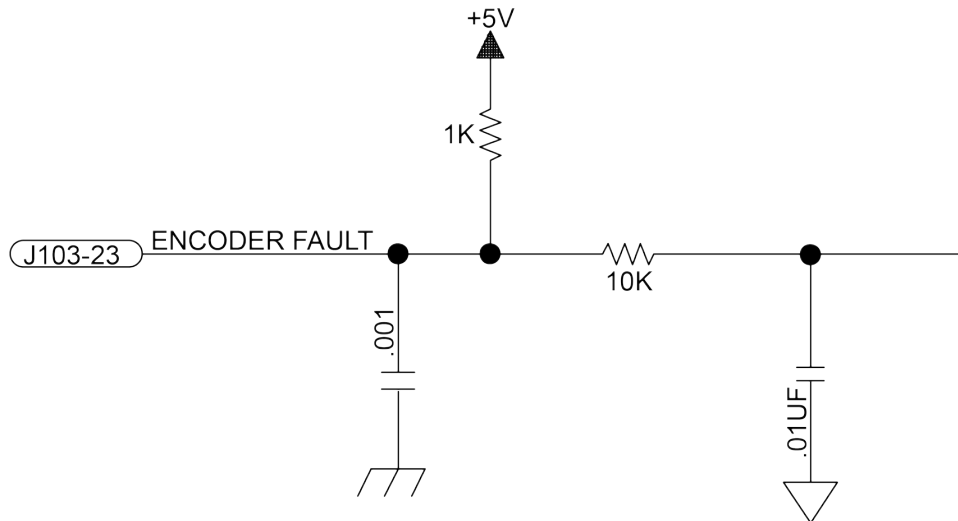


Figure 2-27: Encoder Fault Interface Input (J103)

2.3.5. End Of Travel Limit Input Interface (J103)

End of Travel (EOT) limits are used to define the end of physical travel. The EOT limit inputs accept 5-24 VDC level signals. The active state of the EOT limits is software selectable by the EndOfTravelLimitSetup axis parameter (refer to the Soloist Help file). Limit directions are relative to the encoder polarity in the diagnostics display (refer to [Figure 2-30](#)).

Positive motion is stopped by the clockwise (CW) end of travel limit input. Negative motion is stopped by the counterclockwise (CCW) end of travel limit input. The Home Limit switch can be parameter configured for use during the home cycle, however, the CW or CCW EOT limit is typically used instead.

Opto-isolated user inputs 0-3 can also be used as the end-of-travel limit inputs, see [Section 2.5.4](#).

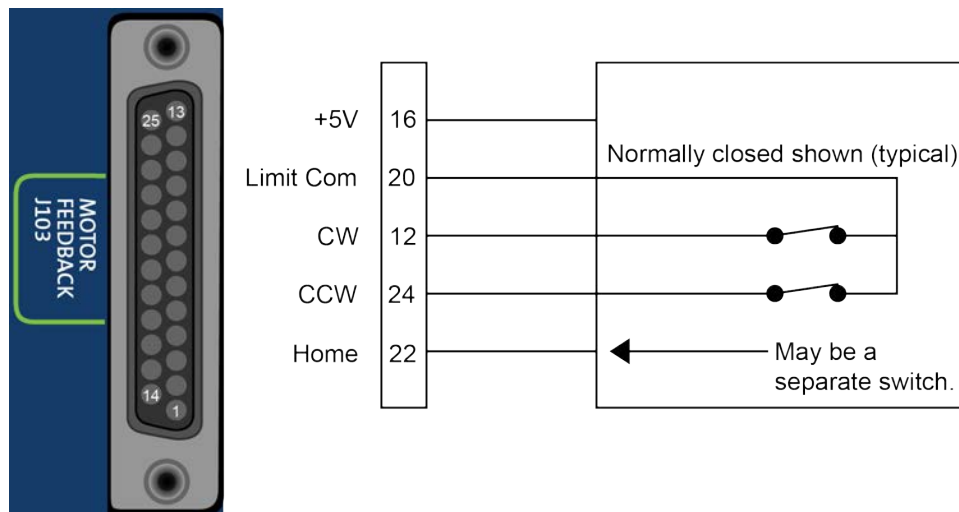


Figure 2-28: End of Travel Limit Input Connections

Table 2-22: End of Travel Limit Input Interface Pins on the Motor Feedback Connector (J103)

Pin#	Description	In/Out/BI
12	Clockwise End of Travel Limit	Input
16	+5V Power for Limit Switches (500 mA max)	Output
20	Signal Common for Limit Switches	N/A
22	Home Switch Input	Input
24	Counterclockwise End of Travel Limit	Input

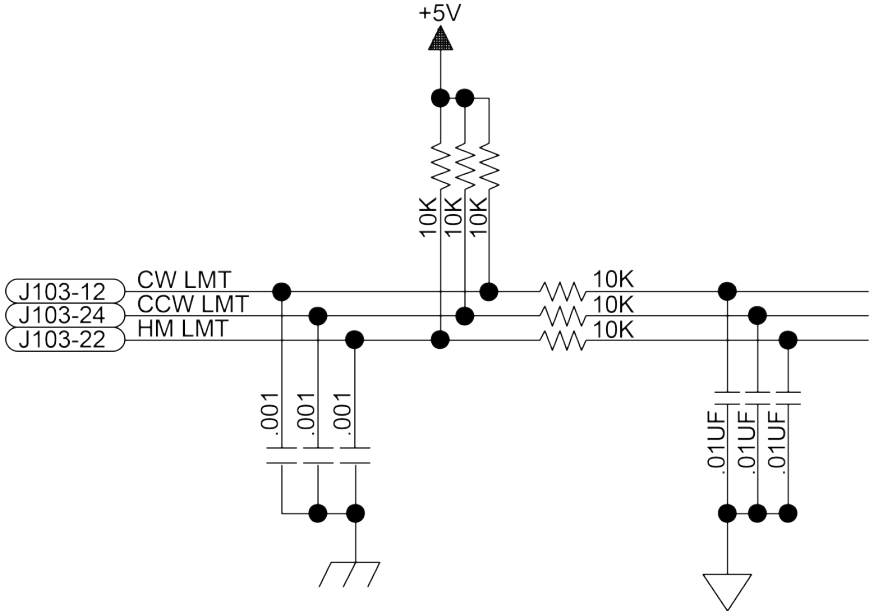


Figure 2-29: End of Travel Limit Interface Input (J103)

2.3.5.1. End Of Travel Limit Phasing

If the EOT limits are reversed, you will be able to move further into a limit but be unable to move out. To correct this, swap the connections to the CW and CCW inputs at the motor feedback connector. The logic level of the EOT limit inputs may be viewed in the Diagnostic Display (shown in [Figure 2-30](#)).

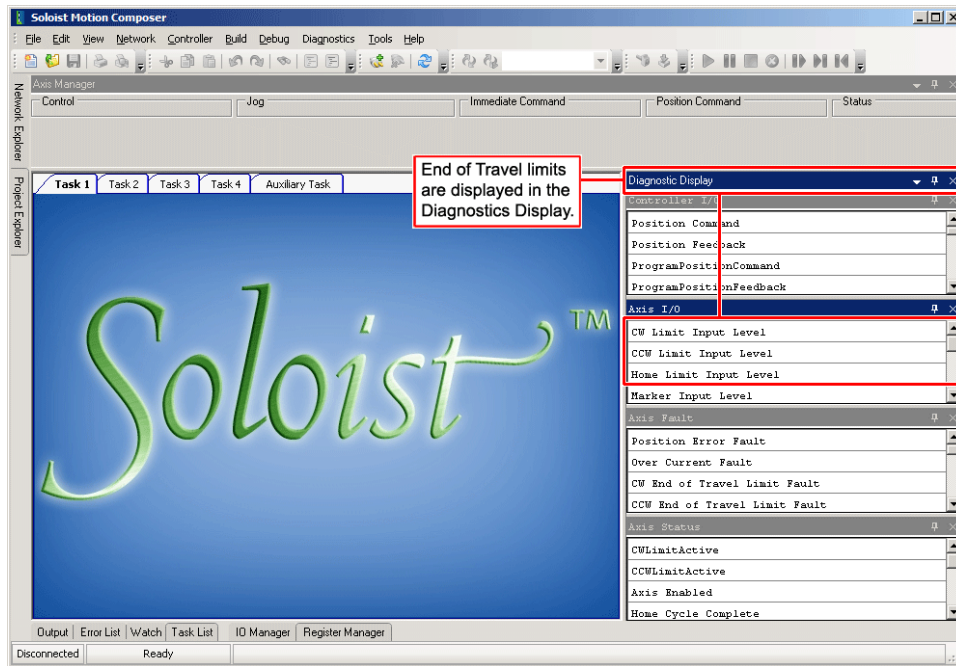


Figure 2-30: Limit Input Diagnostic Display

2.3.6. Brake Output (J103)

The Brake Output pins provide a direct connection to either the solid state relay on the Soloist CP or the mechanical relay on the optional -IO board. The brake output pins in J103 permit the brake to be wired with other signals in the feedback cable. The brake is configured for automatic or manual control using controller parameters (refer to the Soloist Help file for more information).

Use either the solid state relay on the Soloist CP or the mechanical relay on the -IO board when connecting a power supply to the brake outputs on J103. Do not use both relays at the same time.

Refer to [Section 2.6](#) for more information on using the brake output with the solid-state relay.

Refer to [Section 3.5](#) for more information on using the brake output with the mechanical relay.

Table 2-23: Brake Output Pins on the Motor Feedback Connector (J103)

Pin#	Description	In/Out/BI
13	Brake Output -	Output
25	Brake Output +	Output

2.4. Emergency Stop Sense Input Connector (TB101)

The ESTOP sense input is used to monitor the state of an external safety circuit only. This state is indicated by the software and may be used to facilitate system restart. This ESTOP sense input is not intended to be a complete safety system.

Refer to [Section 2.4.1](#), for interconnection details.



WARNING: The user is responsible for assessing operator risk levels and designing the external safety circuits appropriately.



WARNING: Opening the motor leads at the Motor Output while the axis is enabled will damage the drive. To protect the drive, the ESTOP circuit should open the AC motor power input (Motor Supply). Refer to [Figure 2-32](#) for interconnection details.

The ESTOP input is scaled for an input voltage of 5-24 volts.

If the ESTOP bit is enabled in the FaultMask axis parameter, the ESTOP input must be driven to prevent the ESTOP fault condition.

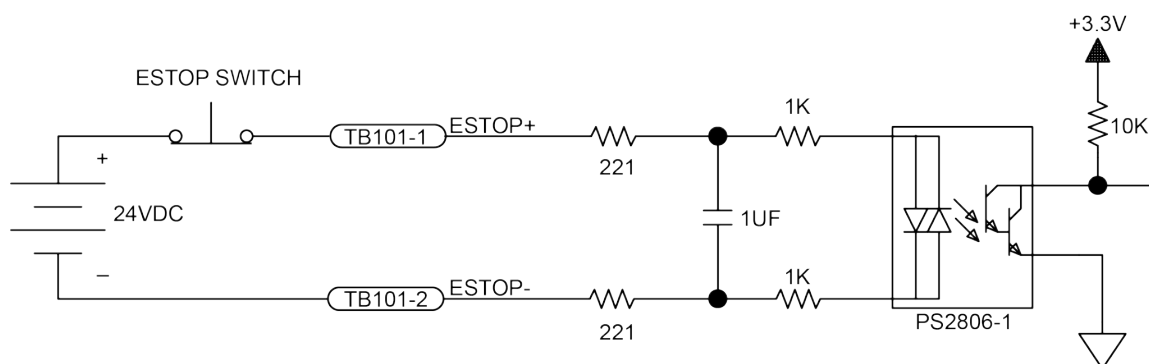


Figure 2-31: ESTOP Sense Input (TB101)

NOTE: Connecting the ESTOP input to a relay or other noise producing device requires the use of noise suppression devices such as those in [Table 2-24](#). These devices are applied across the switched coil to suppress transient voltages.

Table 2-24: Electrical Noise Suppression Devices

Device	Aerotech P/N	Third Party P/N
RC (.1uf / 200 ohm) Network	EIC00240	Electrocube RG1782-8
Varistor	EID00160	Littelfuse V250LA40A

Table 2-25: TB101 Mating Connector

Description	Aerotech P/N	Phoenix P/N	Tightening Torque (Nm)	Wire Size: AWG [mm ²]
2-Pin Terminal Block	ECK01250	1803578	0.22 - 0.25	0.14 - 1.5 [26-16]

2.4.1. Typical ESTOP Interface

The user can connect an external emergency stop relay circuit to the Soloist CP's motor power supply input. This will remove power to the motor while maintaining control power, as shown in the [Figure 2-32](#).

The external relay must be sized based on the number of the Soloist CPs connected and the peak current rating of each drive.

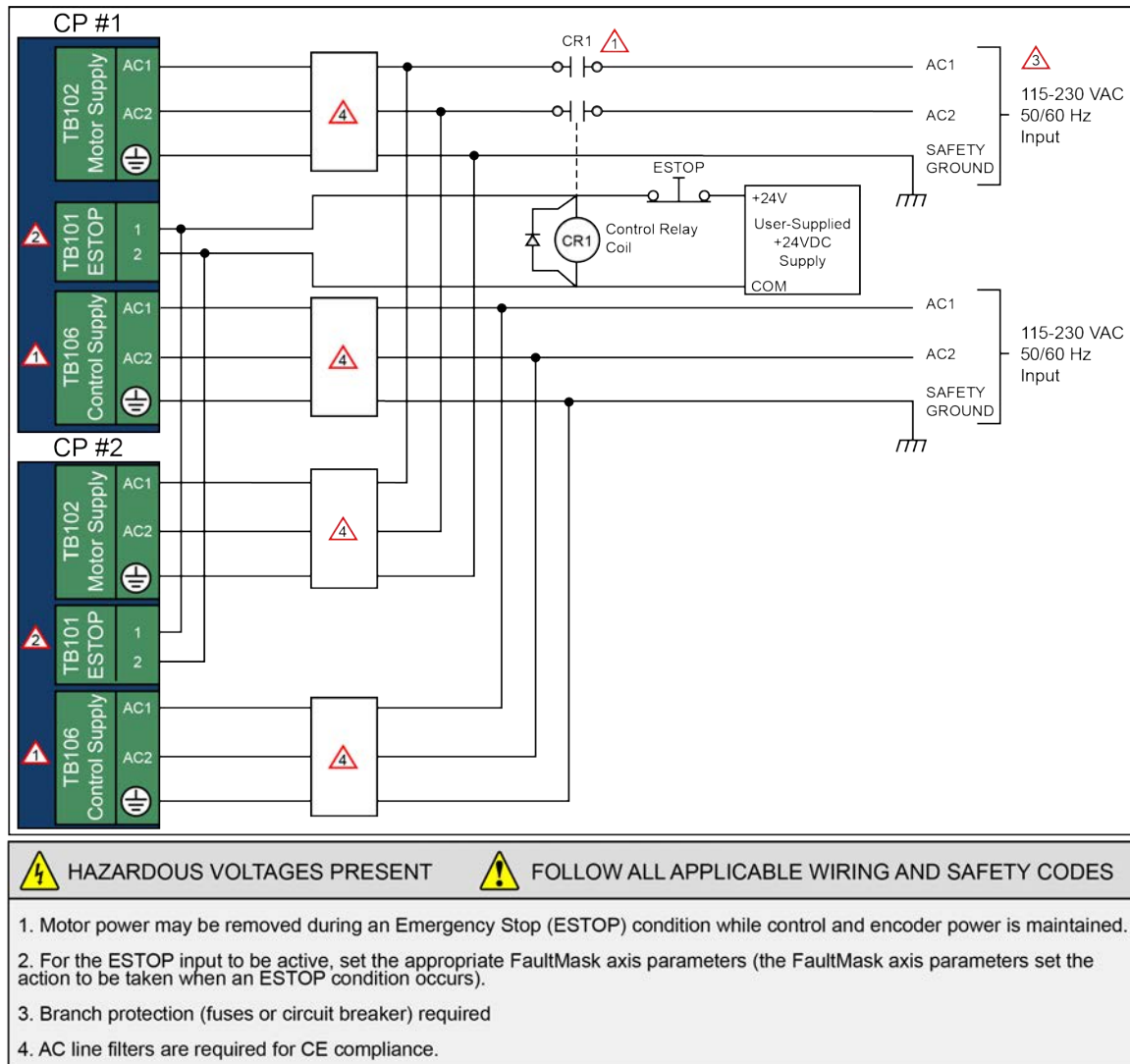


Figure 2-32: Typical Emergency Stop Circuit

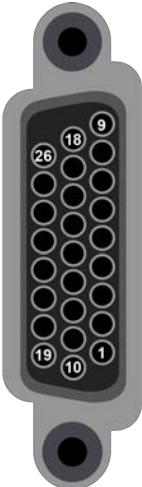
Table 2-26: Typical ESTOP Relay Ratings

Axes	AC1	AC3	Aerotech P/N	Third Party P/N
1	32	16	ECW1018	Sprecher & Schuh CA7-16C-xx-xxx
2 to 5	85	43	ECW1019	Sprecher & Schuh CA7-43C-xx-xxx

2.5. Auxiliary I/O Connector (J104)

The Auxiliary I/O connector (J104) provides 1 analog and 6 digital inputs, 1 analog and 4 digital outputs, and a secondary RS-422 line driver encoder input.

Table 2-27: Auxiliary I/O Connector Pinout (J104)

Pin#	Description	In/Out/Bi	Connector
1	Auxiliary Sine+	Bidirectional	
2	Auxiliary Sine-	Bidirectional	
3	High-Speed Input 4 + user interrupt	Input	
4	High-Speed Input 4 - user interrupt	Input	
5	High-Speed Input 5 + user interrupt	Input	
6	High-Speed Input 5 - user interrupt	Input	
7	Digital Output 0	Output	
8	Digital Output 1	Output	
9	Digital Output 2	Output	
10	Auxiliary Cosine+	Bidirectional	
11	Auxiliary Cosine-	Bidirectional	
12	+5 Volt (500 mA max)	Output	
13	Analog Input 0 + (Differential)	Input	
14	Analog Input 0- (Differential)	Input	
15	Output Common	-	
16	Digital Output 3	Output	
17	Digital Input 0 / CCW EOT Input ⁽¹⁾	Input	
18	Digital Input 1 / CW EOT Input ⁽¹⁾	Input	
19	Auxiliary Marker- / PSO output ⁽²⁾	Bidirectional	
20	Auxiliary Marker+ / PSO output ⁽²⁾	Bidirectional	
21	Common (+5 Volt User Supply, 500 mA max)	-	
22	Analog Output 0	Output	
23	Analog Common	-	
24	Input Common	-	
25	Digital Input 2 / Home Input ⁽¹⁾	Input	
26	Digital Input 3	Input	

(1) Software configured option
 (2) For PSO, see [Section 2.5.2](#).

Table 2-28: Mating Connector Part Numbers for the Auxiliary I/O Connector (J104)

Mating Connector	Aerotech P/N	Third Party P/N
Connector	ECK01259	Kycon K86-AA-26P
Backshell	ECK01022	Amphenol 17E-1725-2

NOTE: These items are provided as a set under the Aerotech P/N: MCK-26HDD.

2.5.1. Auxiliary Encoder Channel (J104)

The auxiliary encoder interface accepts an RS-422 differential quadrature line driver signal. Invalid or missing signals will cause a feedback fault when the axis is enabled.

This encoder channel can be used as an input for master/slave operation (handwheel) or for dual feedback systems. The auxiliary encoder interface does not support analog encoders and cannot be used as an input for the -MXU option.

The auxiliary encoder channel can also be used to echo the standard encoder signals or as the PSO output. Configuring the PSO hardware will automatically configure this encoder channel as an output (refer to [Section 2.5.2.](#)) and will remove the 180 ohm terminator resistors.

Table 2-29: Auxiliary Encoder Specifications

Specification	Value
Encoder Frequency	10 MHz maximum (25 nsec minimum edge separation)
x4 Quadrature Decoding	40 million counts/sec

NOTE: Use the EncoderDivider parameter to configure the bi-directional encoder interface on the auxiliary I/O connector. The EncoderDivider parameter converts the auxiliary encoder interface to an output and defines a divisor for the encoder echo. Refer to the Soloist Help file for more information.

NOTE: You cannot echo the standard encoder signals on the CP with the -MXU option.

Table 2-30: Auxiliary Encoder Channel Pins on the Auxiliary I/O Connector (J104)

Pin#	Description	In/Out/Bi
1	Auxiliary Sine+	Bidirectional
2	Auxiliary Sine-	Bidirectional
10	Auxiliary Cosine+	Bidirectional
11	Auxiliary Cosine-	Bidirectional
12	+5 Volt (500 mA max)	Output
19	Auxiliary Marker- / PSO output ⁽²⁾	Bidirectional
20	Auxiliary Marker+ / PSO output ⁽²⁾	Bidirectional
21	Common (+5 Volt User Supply, 500 mA max)	-

(2) For PSO, see [Section 2.5.2.](#)

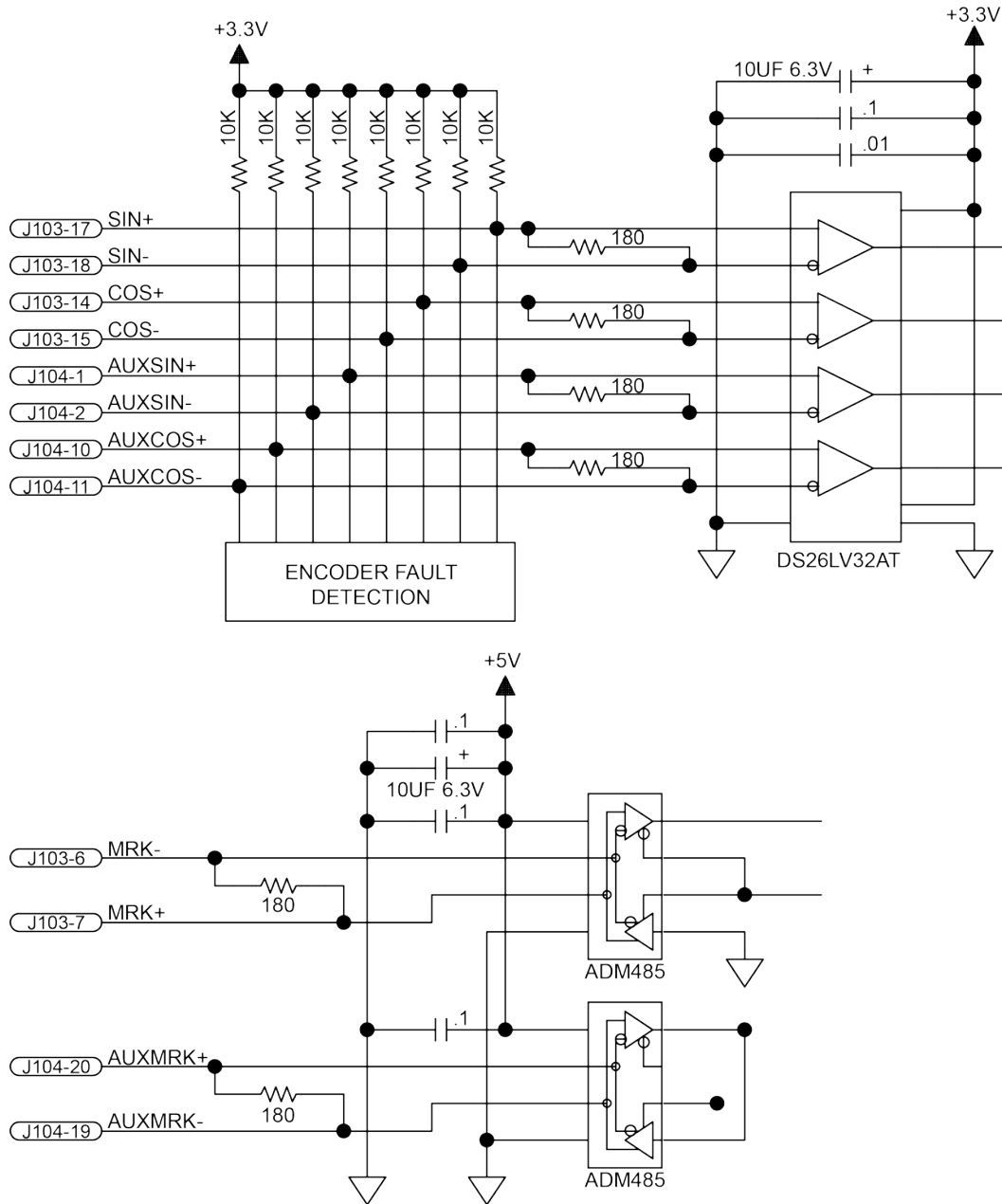


Figure 2-33: Auxiliary Encoder Channel (J104)

2.5.2. Position Synchronized Output (PSO)/Laser Firing (J104)

The PSO can be programmed to generate an output synchronized to the feedback position and is typically used to fire a laser or sequence an external device. Trigger signals may be derived from a feedback channel or a software trigger. The position synchronized output pulse is generated using high-speed hardware, allowing minimal latency between the trigger condition and the output.

The PSO output is available on the dual-function AUX Marker/PSO signal lines. The auxiliary marker must be configured as an output using the PSOOUTPUT CONTROL command. Refer to the Help File for more information.

An RS-422 line receiver or opto-isolator is recommended, especially when using long cable lengths in noisy environments or when high frequency pulse transmission is required. It is best to locate the line receiver or opto-isolator close to the receiving electronics.

Table 2-31: PSO Specifications

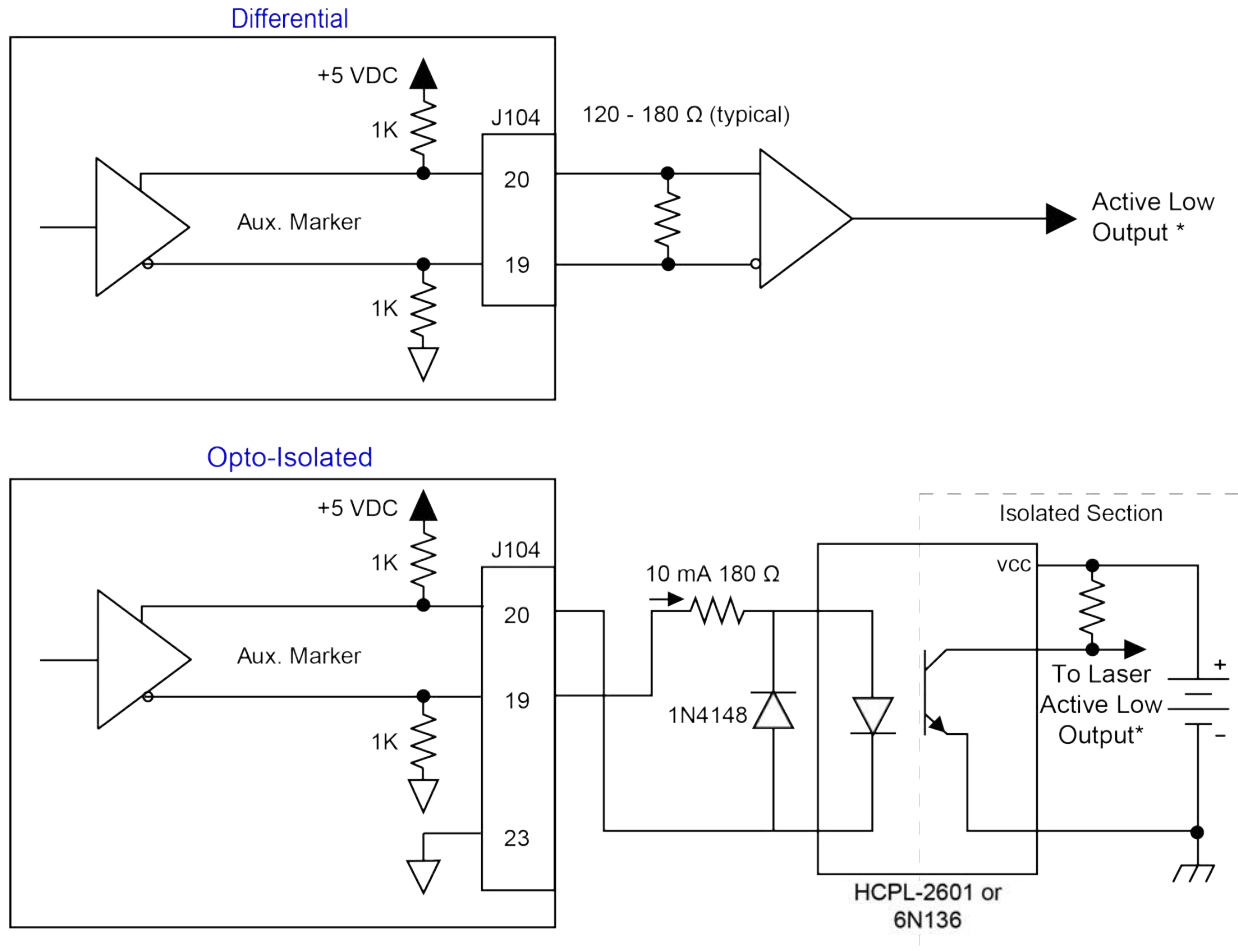
Specification		Value
Maximum Input Tracking Rate ⁽¹⁾	Single-Axis Tracking	16.6 MHz
Maximum Quadrature Encoder Output Frequency	Standard Feedback	40 MHz
Maximum PSO Output (Fire) Frequency ⁽²⁾		12.5 MHz
Firing Latency	Single-Axis Tracking	160 nsec
<ol style="list-style-type: none"> 1. Signals in excess of this rate will cause a loss of PSO accuracy. 2. The optocoupler that you use on the output might have an effect on this rate. 		

NOTE: When using the MRK± signals with single-ended systems, **do not** connect MRK+ or MRK- to GROUND (GND).

NOTE: The PSO feature is **not** compatible with the -MXU option. The PSO feature operates with the -MXH option and with square wave encoders.

Table 2-32: PSO Output Pins on the Auxiliary I/O Connector (J104)

Pin#	Description	In/Out/Bi
19	Auxiliary Marker- / PSO output	Bidirectional
20	Auxiliary Marker+ / PSO output	Bidirectional
23	Analog Common	-



* Active low output shown. Opposite polarity available by reversing connections to Pins 19 and 20.

Figure 2-34: PSO Interface

2.5.3. Digital Outputs (J104)

The digital outputs are optically-isolated and can be connected in sourcing or sinking configurations. The digital outputs are designed to connect to other ground referenced circuits and are not intended to provide high-voltage isolation.

The outputs are software-configurable and must be connected in either all sinking or all sourcing mode. [Figure 2-35](#) and [Figure 2-36](#) illustrate how to connect to an output in current sourcing and current sinking modes.

The opto-isolator's common connections can be directly connected to the drive's power supply; however, doing so will effectively defeat the isolation and will reduce noise immunity.

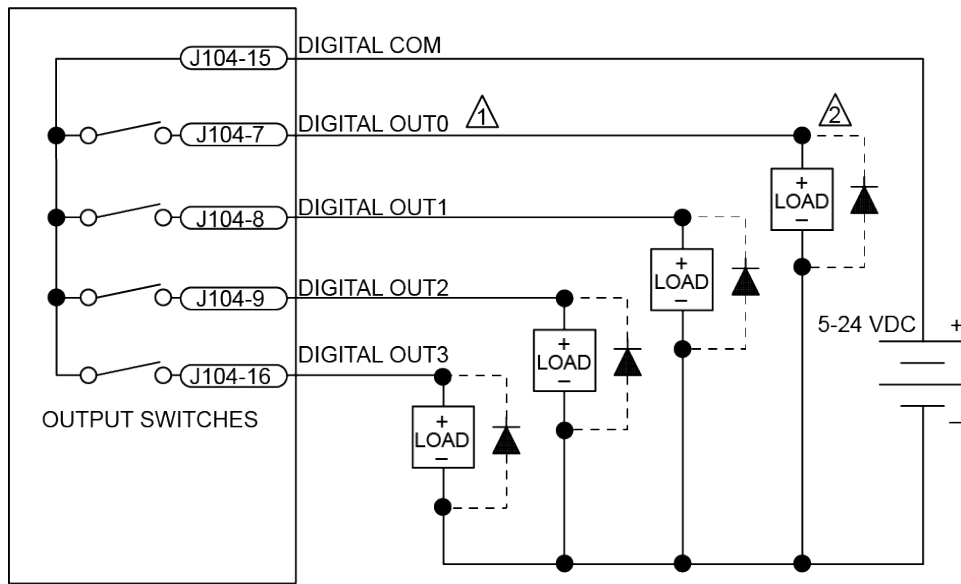
Table 2-33: Digital Output Specifications

Opto Device Specifications	Value
Maximum Voltage	24 V maximum
Maximum Sink/Source Current	60 mA/channel @ 50°C
Output Saturation Voltage	2.75 V at maximum current
Output Resistance	33 Ω
Rise / Fall Time	250 usec (typical)
Reset State	Output Off (High Impedance State)

Table 2-34: Port 0 Digital Output Connector Pins on the Auxiliary I/O Connector (J104)

Pin#	Description	In/Out/Bi
7	Digital Output 0	Output
8	Digital Output 1	Output
9	Digital Output 2	Output
15	Output Common	-
16	Digital Output 3	Output

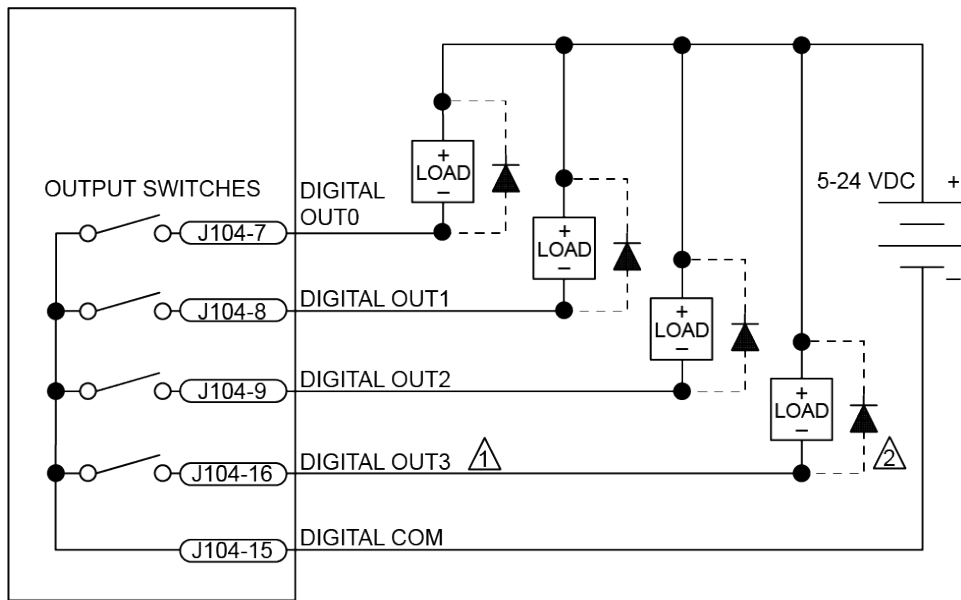
NOTE: Outputs must be connected as all sourcing or all sinking.



⚠️ 1 EACH OUTPUT 60 mA MAXIMUM

⚠️ 2 DIODE REQUIRED ON EACH OUTPUT THAT DRIVES AN INDUCTIVE DEVICE (COIL), SUCH AS A RELAY.

Figure 2-35: Outputs Connected in Current Sourcing Mode (J104)



⚠️ 1 EACH OUTPUT 60 mA MAXIMUM

⚠️ 2 DIODE REQUIRED ON EACH OUTPUT THAT DRIVES AN INDUCTIVE DEVICE (COIL), SUCH AS A RELAY.

Figure 2-36: Outputs Connected in Current Sinking Mode (J104)

2.5.4. Digital Inputs (J104)

The digital inputs are opto-isolated and may be connected to current sourcing or current sinking devices, as shown in [Figure 2-37](#) and [Figure 2-38](#). These inputs are designed to connect to other ground-referenced circuits and are not intended for high-voltage isolation.

The opto-isolator's common connections can be directly connected to the drive's power supply; however, doing so will effectively defeat the isolation and will reduce noise immunity.

Table 2-35: Digital Input Specifications

Input Voltage	Approximate Input Current	Turn On Time	Turn Off Time
+5 V	1 mA	200 usec	2000 usec
+24 V	6 mA	4 usec	1500 usec

Table 2-36: Port 0 Digital Input Connector Pins on the Auxiliary I/O Connector (J104)

Pin#	Description	In/Out/Bi
17	Digital Input 0 / CCW EOT Input ⁽¹⁾	Input
18	Digital Input 1 / CW EOT Input ⁽¹⁾	Input
24	Input Common	-
25	Digital Input 2 / Home Input ⁽¹⁾	Input
26	Digital Input 3	Input

(1) Software configured option

NOTE: Each bank of 8 Inputs must be connected in the all sourcing or all sinking configuration.

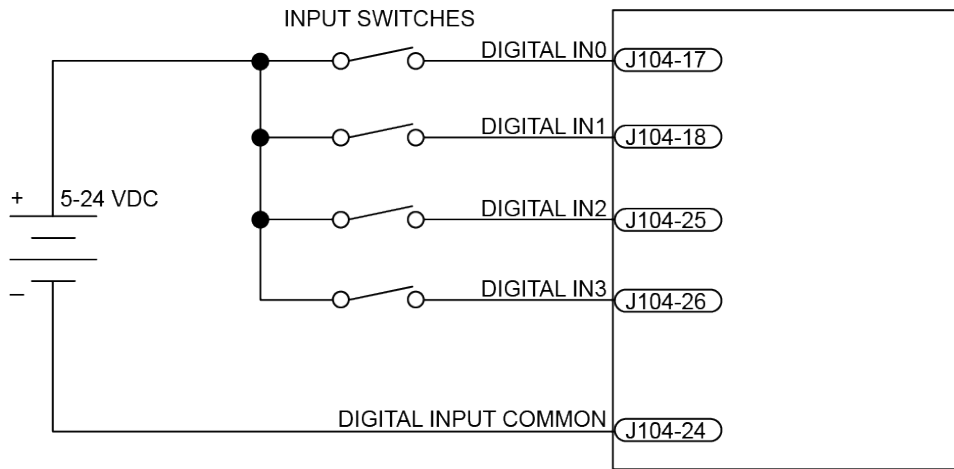


Figure 2-37: Inputs Connected in Current Sourcing Mode (J104)

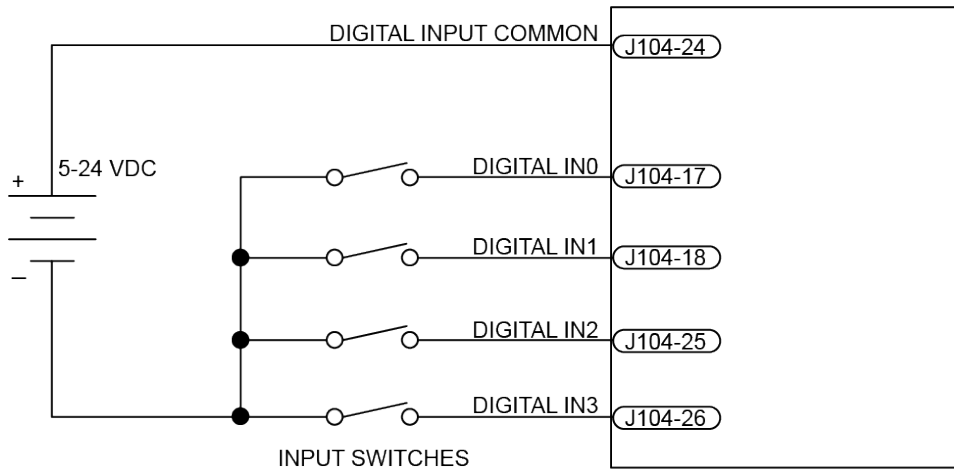


Figure 2-38: Inputs Connected in Current Sinking Mode (J104)

2.5.5. High-Speed User Inputs 4-5 (J104)

The high-speed inputs 4-5 are typically used as a sample signal for data collection.

Table 2-37: High-Speed Input Specifications

Specification	Value
Input Voltage	5V or 24 V input voltages based on a jumper setting (Table 2-39)
Input Current	10 mA
Input Device	HCPL-0630
Delay	50 nsec

Table 2-38: Port 0 High Speed Digital Input Connector Pins on the Auxiliary I/O Connector (J104)

Pin#	Description	In/Out/Bi
3	High-Speed Input 4 + user interrupt	Input
4	High-Speed Input 4 - user interrupt	Input
5	High-Speed Input 5 + user interrupt	Input
6	High-Speed Input 5 - user interrupt	Input

Table 2-39: Input Voltage Jumper Configuration

Jumper	Setting	Description
JP4	1-2 ⁽¹⁾	No shunt option present
	2-3	Shunt option present
JP6	1-2 ⁽¹⁾	24 V operation (High Speed Input 4)
	2-3	5 V operation (High Speed Input 4)
JP7	1-2 ⁽¹⁾	24 V operation (High Speed Input 5)
	2-3	5 V operation (High Speed Input 5)

1. Default

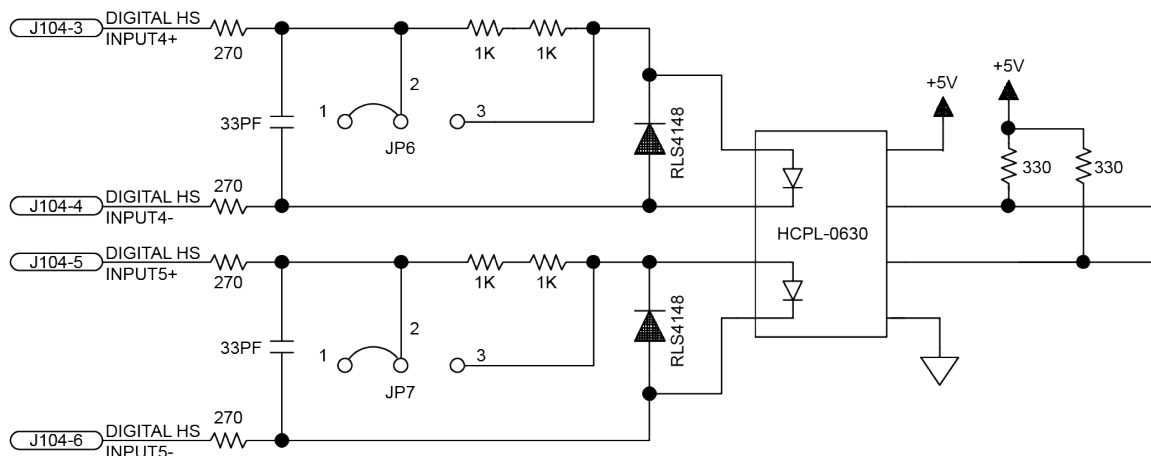


Figure 2-39: High-Speed User Inputs (J104)

2.5.6. Analog Output 0 (J104)

The analog output is set to zero when power is first applied to the system or during a system reset.

Table 2-40: Analog Output 0 Specifications (TB102 B)

Specification	Value
Output Voltage	-10 V to +10 V
Output Current	5 mA
Resolution (bits)	16 bits
Resolution (volts)	305 μ V

Table 2-41: Analog Output Connector Pins on the Auxiliary I/O Connector (J104)

Pin#	Description	In/Out/Bi
22	Analog Output 0	Output
23	Analog Common	-

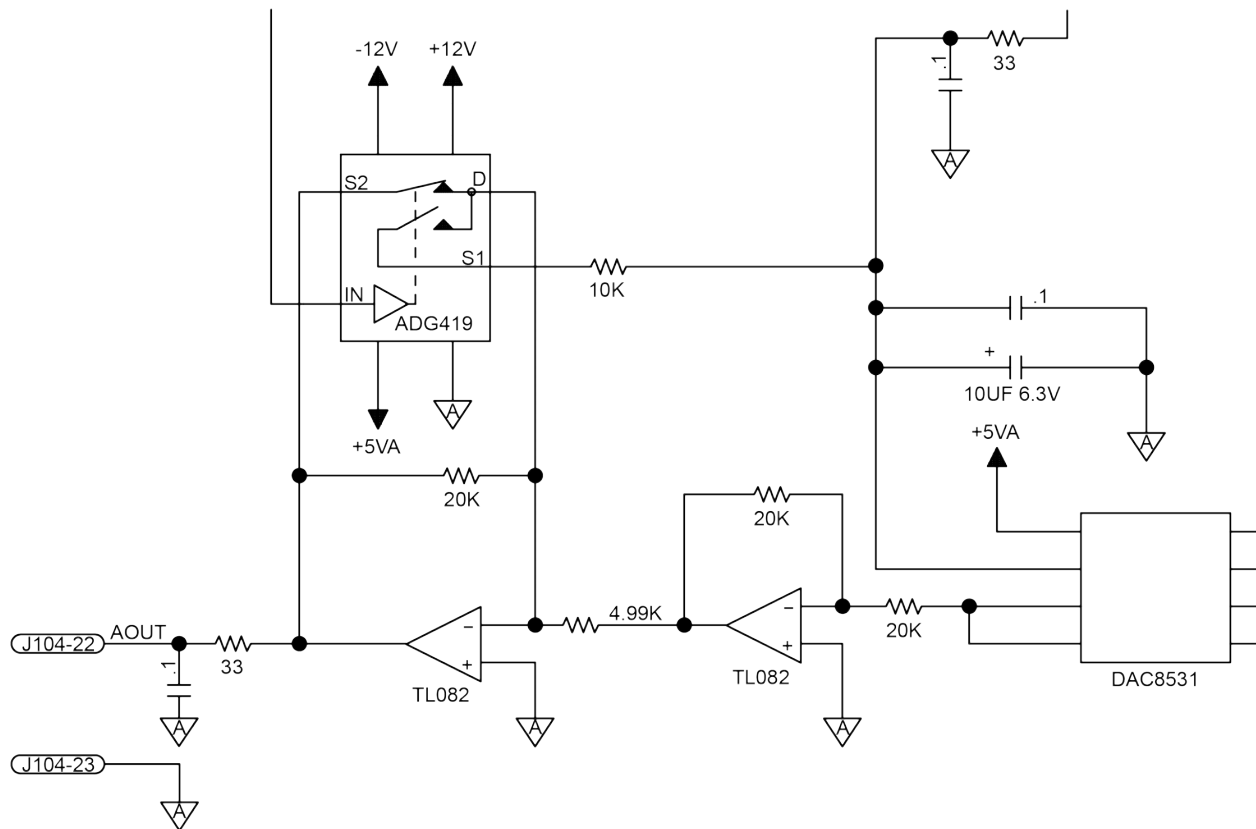


Figure 2-40: Analog Output 0 (J104)

2.5.7. Differential Analog Input 0 (J104)

To interface to a single-ended (non-differential) voltage source, connect the signal common of the source to the negative input and the analog source signal to the positive input. A floating signal source should be referenced to the analog common as shown in [Figure 2-41](#).

Table 2-42: Differential Analog Input 0 Specifications

Specification	Value
(AI+) - (AI-)	+10 V to -10 V ⁽¹⁾
Resolution (bits)	16 bits
Resolution (volts)	305 μ V

1. Signals outside of this range may damage the input

Table 2-43: Analog Input Connector Pins on the Auxiliary I/O Connector (J104)

Pin#	Description	In/Out/Bi
13	Analog Input 0+ (Differential)	Input
14	Analog Input 0- (Differential)	Input
23	Analog Common	-

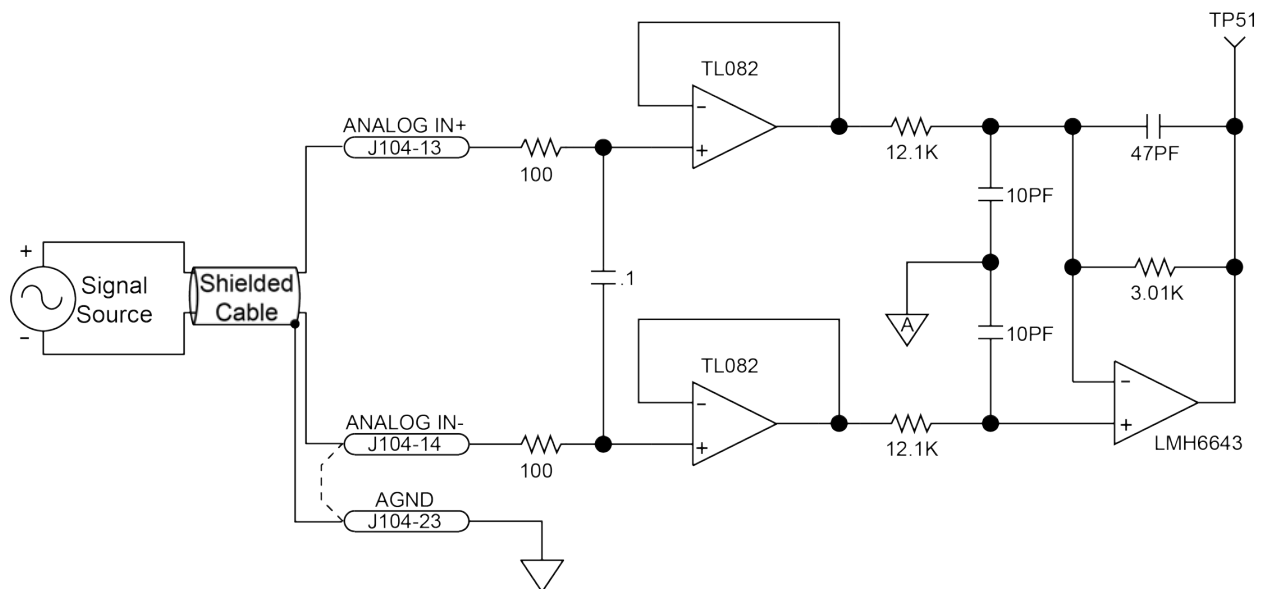


Figure 2-41: Analog Input 0 (J104)

2.6. Brake Power Supply Connector (TB103)

TB103 is the power supply connection to the onboard solid state brake control relay. The relay can be used to automatically control a fail-safe brake on a vertical axis. It can also be used as a general purpose output.

The brake is typically wired directly to the Motor Feedback connector and the brake power supply is connected to TB103 (Figure 2-42). The brake can also be connected in series with the Brake Power Supply and interlocked using Motor Feedback brake pins (Figure 2-43). A varistor must be connected across the brake to minimize high voltage transients.

The brake output can be software configured; refer to the Soloist Help file for more information (see topics for the EnableBrakeControl parameter and the BRAKE command).

When TB103 is used to power the solid state brake control relay, the mechanical brake control relay present on the I/O board should not be used.

NOTE: The brake power supply must be externally fused.

The user must verify that the brake power requirements are within the specifications of the brake control relay.

Table 2-44: Relay Specifications

Solid State Relay Rating	
Maximum Voltage	24 VDC
Maximum Current	2.5 Amps
Turn-On/Turn-Off Time	< 3.2 ms Turn-On (typical) / 0.1 ms Turn-Off (typical)



WARNING: Do not exceed the maximum specifications.

Table 2-45: Brake Power Supply Connector Pinout (TB103)

Pin#	Description	In/Out/BI
5	Brake Power Supply (-)	Input
6	Brake Power Supply (+)	Input

Table 2-46: Mating Connector Part Numbers for the Brake Power Supply Connector (TB103)

Description	Aerotech P/N	Phoenix P/N	Wire Size: AWG [mm ²]
6-Pin Terminal Block	ECK01364	1881367	0.5 - 0.080 [20-28]

Figure 2-42 is an example of a +24 VDC brake connected to the Motor Feedback connector. In this example the external +24 VDC power source is connected to TB103.

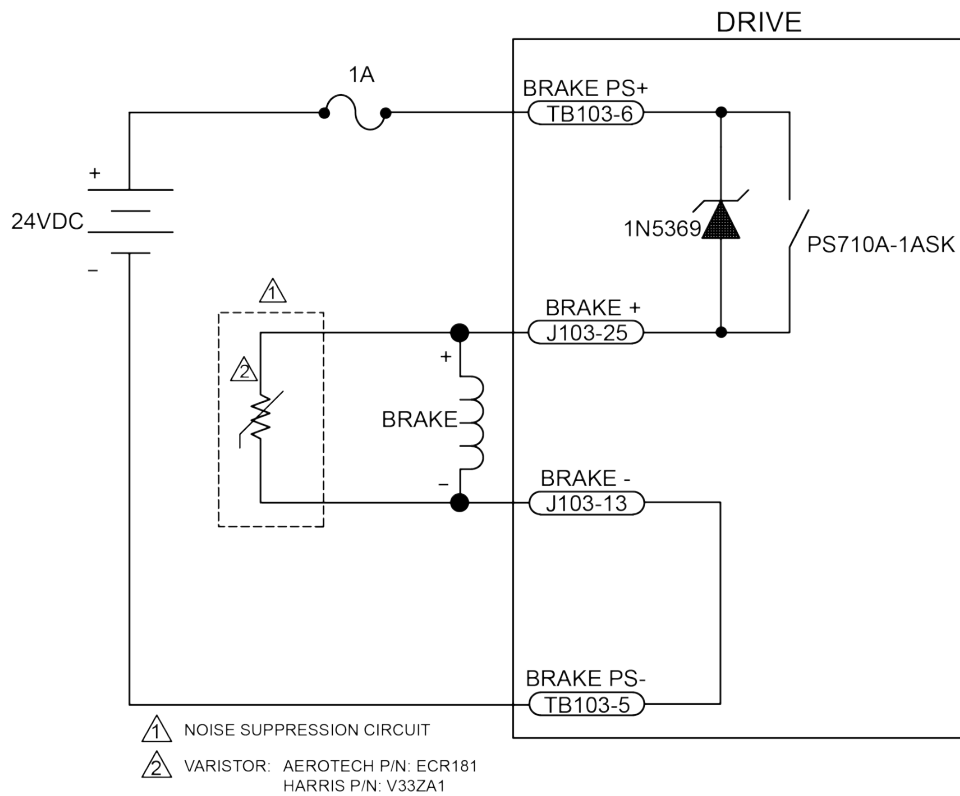


Figure 2-42: Brake Connected to J103

NOTE: The user is responsible for providing fuse protection for the brake circuit.

Figure 2-43 is an example of a 24 VDC brake connected to TB103. The user must connect J103 pin 13 to J103 pin 25. In this case, J103 would function as an interlock to prevent the brake from releasing if the Motor Feedback connector is not connected.

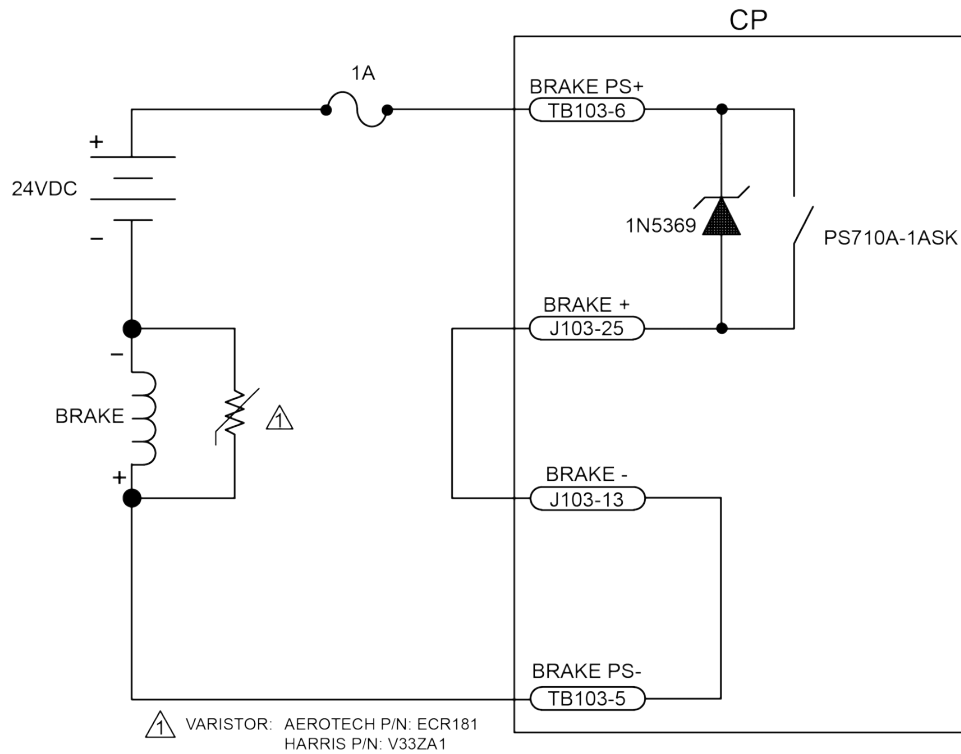


Figure 2-43: Brake Connected to TB103

2.7. RS-232 Interface (TB103)

Connecting the RS-232 port to a user's PC requires a standard cable (not a null modem).

Table 2-47: RS-232 Connector Pin Assignment (TB103)

Pin#	Description	In/Out/Bi
1	+5 Volt Power Output ⁽¹⁾	Output
2	RS-232 Transmit	Output
3	RS-232 Receive	Input
4	Signal Common	N/A
5	Brake Power Supply -	Output
6	Brake Power Supply +	Output

(1) Total user +5 V power is limited to 500 mA.

Table 2-48: RS-232 Port Connector Mating Connector (TB103)

Type	Aerotech P/N	Phoenix P/N	Tightening Torque (Nm)	Wire Size: mm ² [AWG]
6-Pin Terminal Block	ECK01364	1881367	N/A	0.5 - 0.080 [20-28]

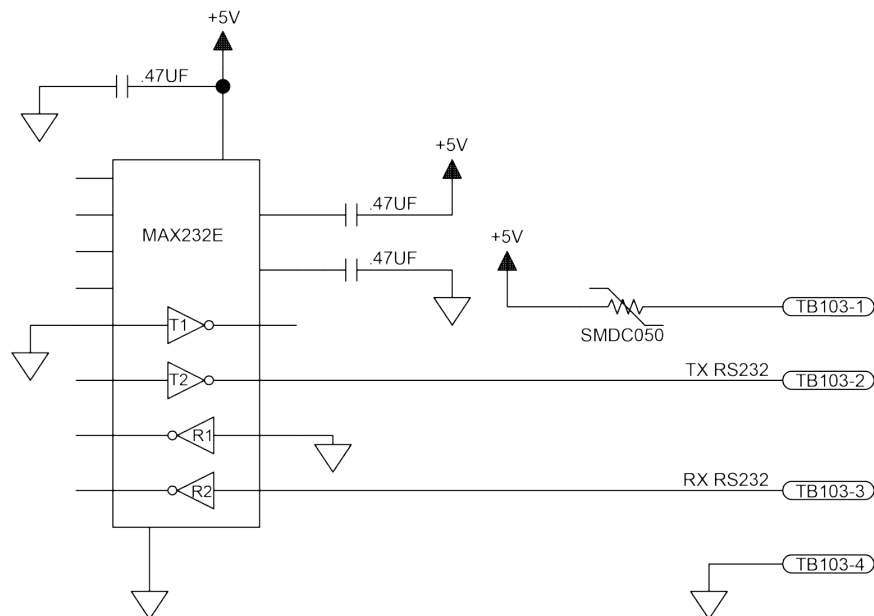


Figure 2-44: RS-232 Interface (TB103)

2.8. -EXTSHUNT Option (TB104)

The -EXTSHUNT option provides a connection for a user-provided shunt resistor to dissipate excess energy and keep the internal drive voltage within safe levels. The drive switches this resistor "ON" when the internal bus voltage reaches approximately 380 VDC. This option is generally required for systems that have a large amount of stored mechanical energy (i.e. large rotating drums).

Proper sizing, mounting, and protection of the shunt resistor is critical due to the potentially large amounts of power dissipated.



DANGER: The shunt resistor temperature can exceed 70°C during normal operation and contains lethal voltage on its terminals and surface. It must be properly enclosed and shielded to avoid risk of fire and operator shock.

Table 2-49: -EXTSHUNT Component Information

Component	Description	Aerotech P/N
Recommended Shunt Resistor	50 Ω (min), 300 W Vishay/Dale: RBEF030050R00KFBVT	ECR01039
2-Pin Mating Connector	Screw Torque Value: 0.5 - 0.6 N·m Wire Size: 12-30 AWG [3.3 - 0.0516 mm ²] Phoenix: 175449	ECK01110
Fuse (F1 on the Control Board)	2.5 A S.B. Littelfuse: 21502.5P	EIF01053
Recommended Wire Size	16 AWG (1.3 mm ²) High Temperature	--

The first step in sizing the external shunt resistor is to calculate the kinetic energy of the system (**Equation 1**). Neglecting the system's losses, this is the energy that can potentially be regenerated to the DC bus.

Equation 1:

$$E_M = \left[\frac{1}{2} \right] [J_M + J_L] \omega_M^2 \quad \text{or} \quad E_M = \left[\frac{1}{2} \right] [M_M + M_L] v_M^2$$

(for rotary motors) (for linear motors)

- J_M rotor inertia (kg·m²)
- J_L load inertia (kg·m²)
- ω_m motor speed before deceleration (rad/s)

- M_M forcer mass (kg)
- M_L load mass (kg)
- v_m velocity (m/s)

A shunt resistor is required if the regenerated energy is greater than the additional energy that the internal bus capacitor can store (**Equation 2**).

Equation 2:

$$E_{Ca} = \frac{1}{2}C (V_M^2 - V_{NOM}^2)$$

- C bus capacitor (F) [1,200 uF]
 V_M turn on voltage for shunt circuit (V) [380 V]
 V_{NOM} nominal bus voltage (V) [160 V or 320 V, Typical]

For a standard Soloist CP, the maximum additional energy the internal bus capacitor can store without requiring a shunt resistor is indicated in [Table 2-50](#).

Table 2-50: Maximum Additional Storage Energy

Bus Voltage	Maximum Additional Energy
160 V	71.3 J
320 V	25.2 J

If a shunt resistor is required, the next step is to calculate the value of resistance necessary to dissipate the energy. Use **Equations 3, 4, and 5** to calculate the parameters of the shunt resistor.

Equation 3:

$$P_{PEAK} = \frac{E_M - E_{Ca}}{t_D}$$

- P_{PEAK} peak power that the regeneration circuit must accommodate (W)
 t_D deceleration time (s)

Equation 4:

$$P_{AV} = \frac{E_M - E_{Ca}}{t_{CYCLE}}$$

- P_{AV} average power dissipated on shunt resistor (W)
 t_{CYCLE} time between deceleration events (s)

Equation 5:

$$R = \frac{(2V_M - V_{HYS})^2}{4P_{PEAK}}$$

- V_{HYS} hysteresis voltage of regeneration circuit (V) [10 V, Typical]

Additional useful equations:

- 1 lb·ft = 1.356 N·m
 1 rad/s = 9.55 rpm

2.9. PC Configuration and Operation Information

For additional information about PC configuration, hardware requirements, programming, utilities, and system operation refer to the Soloist Help file.

This page intentionally left blank.

Chapter 3: -I/O Expansion Board

The -IO option board is 16 digital opto-inputs, 16 digital opto-outputs, 1 analog input, 1 analog output, and a brake/relay output.



DANGER: Always disconnect the Mains power connection before opening the Soloist CP chassis.

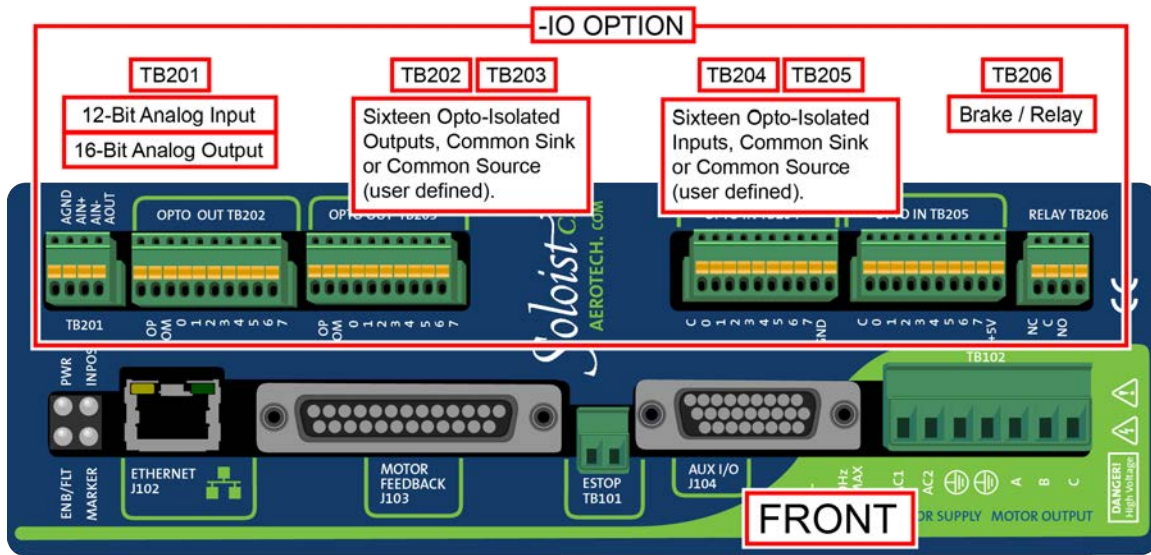
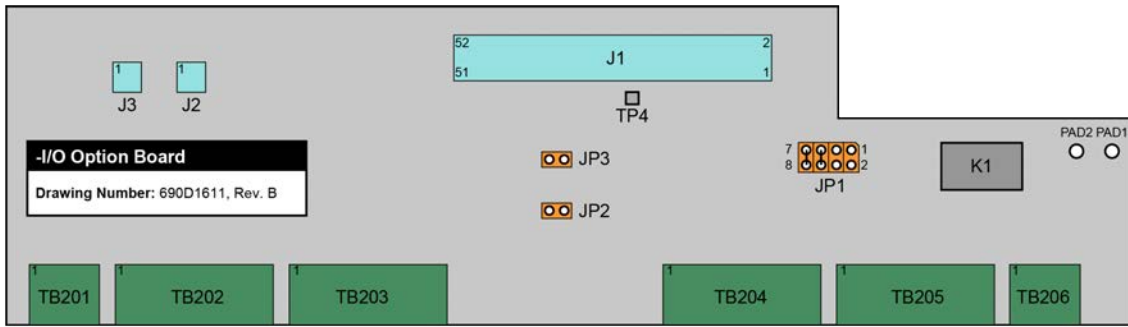


Figure 3-1: Soloist CP with -IO Option Board

Table 3-1: -IO Expansion Board Jumper Configuration

Jumper	Setting	Description
JP1	1-2, 3-4	Switch Brake +
	5-6, 7-8 ⁽¹⁾	Switch Brake -
	1-3	Relay Only

(1) default

Table 3-2: -IO Option Board Fuse Information

Fuse	Description	Size	Aerotech P/N	Manufacturer's P/N
F1	+5 VDC User Power	3 A, resettable	EIF01001	Raychem RGE300

3.1. Analog I/O Connector (TB201)

The Analog I/O connector has one differential analog input and one isolated analog output.

Table 3-3: Analog I/O Connector Pinout (TB201)

Pin#	Description	In/Out/Bi
1	Analog Common	N/A
2	Non-inverting Analog Input 1	Input
3	Inverting Analog Input 1	Input
4	Analog Output 1	Output

Table 3-4: Mating Connector Part Numbers for the Analog Output Connector (TB201)

Type	Aerotech P/N	Phoenix P/N	Wire Size: AWG [mm ²]
4-Pin Terminal Block	ECK01293	1881341	20-28 [0.5- 0.080]

3.1.1. Analog Output (TB201)

The analog output is set to zero when power is first applied to the system or during a system reset.

Table 3-5: Analog Output Specifications (TB201)

Specification	Value
Output Voltage	-10 V to +10 V
Output Current	5 mA
Resolution (bits)	16 bits
Resolution (volts)	305 μ V

NOTE: Analog Output 0 is available on J104 (refer to [Section 2.5.7.](#)).

Table 3-6: Analog Output Pins on the Analog I/O Connector (TB201)

Pin#	Description	In/Out/BI
1	Analog Common	N/A
4	Analog Output 1	Output

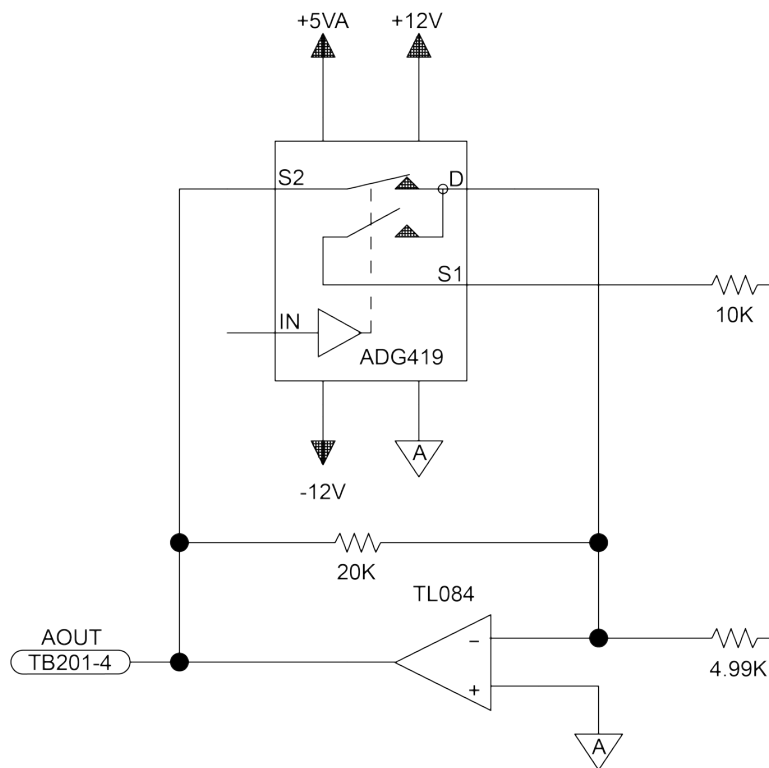


Figure 3-2: Analog Output Connector (TB201)

3.1.2. Differential Analog Input (TB201)

To interface to a single-ended (non-differential) voltage source, connect the signal common of the source to the negative input and the analog source signal to the positive input. A floating signal source should be referenced to the analog common as shown in [Figure 3-3](#).

Table 3-7: Differential Analog Input Specifications

Specification	Value
(AI+) - (AI-)	+10 V to -10 V ⁽¹⁾
Resolution (bits)	12 bits
Resolution (volts)	4.88 mV

1. Signals outside of this range may damage the input

NOTE: Analog Input 0 is available on J104 (see [Section 2.5.7.](#)).

Table 3-8: Analog Input Pins on the Analog I/O Connector (TB201)

Pin#	Description	In/Out/Bi
1	Analog Common	N/A
2	Non-inverting Analog Input 1	Input
3	Inverting Analog Input 1	Input

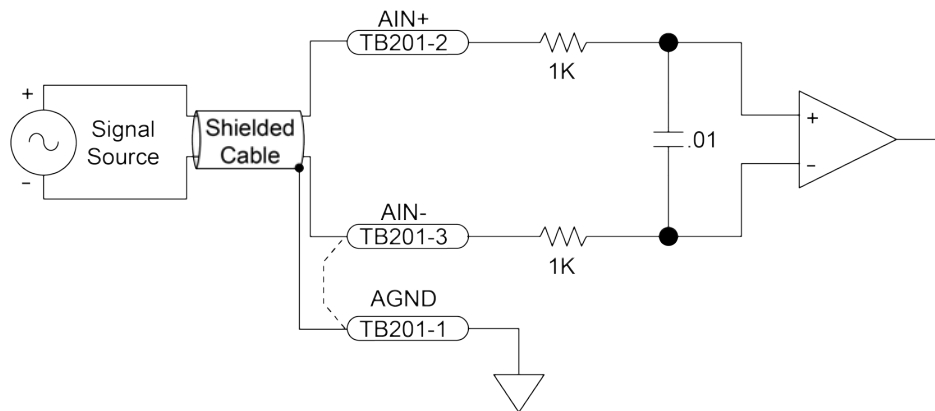


Figure 3-3: Analog Input Typical Connection (TB201)

3.2. Opto Out Connectors (Digital Outputs) (TB202/TB203)

The digital outputs are optically-isolated and can be connected in sourcing or sinking configurations. The digital outputs are designed to connect to other ground referenced circuits and are not intended to provide high-voltage isolation.

The outputs are software-configurable and must be connected in either all sinking or all sourcing mode. [Figure 3-5](#) and [Figure 3-6](#) illustrate how to connect to an output in current sourcing and current sinking modes.

The opto-isolator's common connections can be directly connected to the drive's power supply; however, doing so will effectively defeat the isolation and will reduce noise immunity.

Table 3-9: Digital Output Specifications (TB202/TB203)

Opto Device Specifications	Value
Maximum Voltage	24 V maximum
Maximum Sink/Source Current	60 mA/channel @ 50°C
Output Saturation Voltage	2.75 V at maximum current
Output Resistance	33 Ω
Rise / Fall Time	250 usec (typical)
Reset State	Output Off (High Impedance State)

Suppression diodes must be installed on outputs driving relays or other inductive devices. This protects the outputs from damage caused by inductive spikes. Suppressor diodes, such as the 1N914, can be installed on all outputs to provide protection. It is important that the diode be installed correctly (normally reversed biased). Refer to [Figure 3-6](#) for an example of a current sinking output with diode suppression and [Figure 3-5](#) for an example of a current sourcing output with diode suppression.

NOTE: Power supply connections must always be made to both the Output Common Plus (OP) and Output Common Minus (OM) pins as shown in [Figure 3-5](#) and [Figure 3-6](#).

NOTE: Outputs must be connected as all sourcing or all sinking.

Table 3-10: Port 1 Opto Out Connector Pinout (TB202)

Pin#	Description	In/Out/Bi
1	Digital Output Common Plus	Input
2	Digital Output Common Minus	Input
3	Digital Output 0 (Optically-Isolated)	Output
4	Digital Output 1 (Optically-Isolated)	Output
5	Digital Output 2 (Optically-Isolated)	Output
6	Digital Output 3 (Optically-Isolated)	Output
7	Digital Output 4 (Optically-Isolated)	Output
8	Digital Output 5 (Optically-Isolated)	Output
9	Digital Output 6 (Optically-Isolated)	Output
10	Digital Output 7 (Optically-Isolated)	Output

Table 3-11: Port 2 Opto Out Connector Pinout (TB203)

Pin#	Description	In/Out/Bi
1	Digital Output Common Plus	Input
2	Digital Output Common Minus	Input
3	Digital Output 0 (Optically-Isolated)	Output
4	Digital Output 1 (Optically-Isolated)	Output
5	Digital Output 2 (Optically-Isolated)	Output
6	Digital Output 3 (Optically-Isolated)	Output
7	Digital Output 4 (Optically-Isolated)	Output
8	Digital Output 5 (Optically-Isolated)	Output
9	Digital Output 6 (Optically-Isolated)	Output
10	Digital Output 7 (Optically-Isolated)	Output

Table 3-12: Mating Connector Part Numbers for the Opto Out Connectors (TB202/TB203)

	Aerotech P/N	Phoenix P/N	Wire Size: mm ² [AWG]
10-Pin Terminal Block	ECK01294	1881406	0.5-0.080 [20-28]

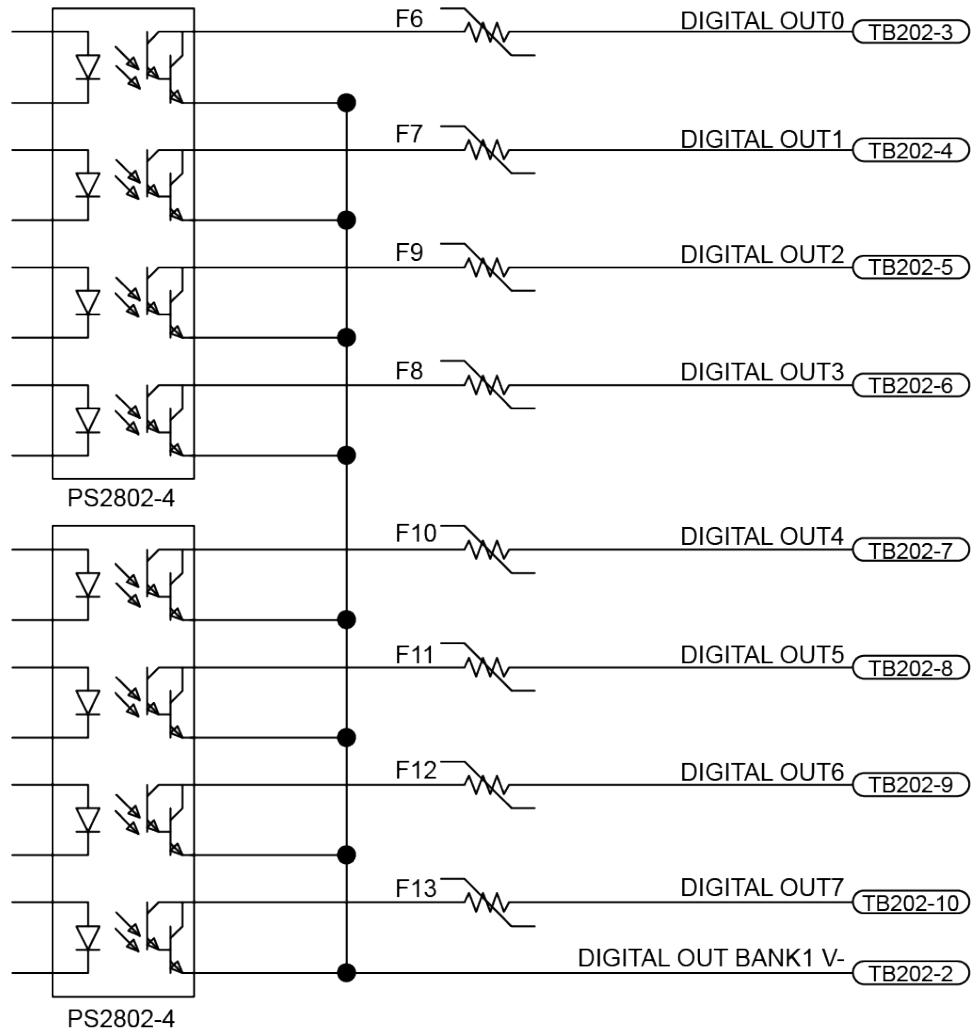


Figure 3-4: Digital Outputs (TB202/TB203)

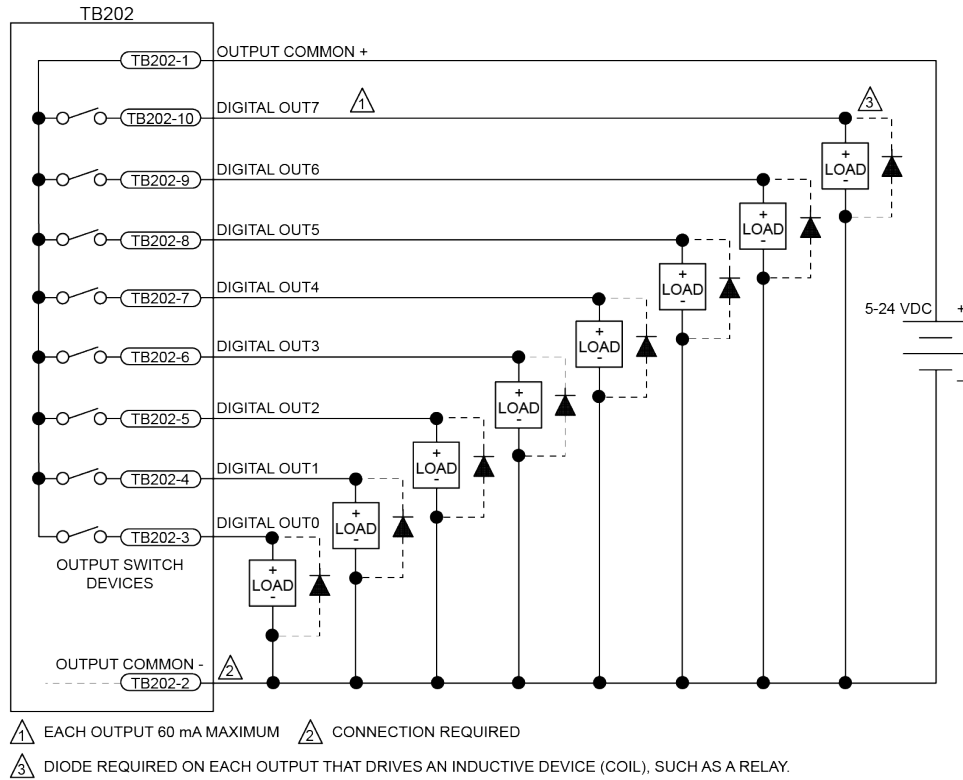


Figure 3-5: Outputs Connected in Current Sourcing Mode (TB202/TB203)

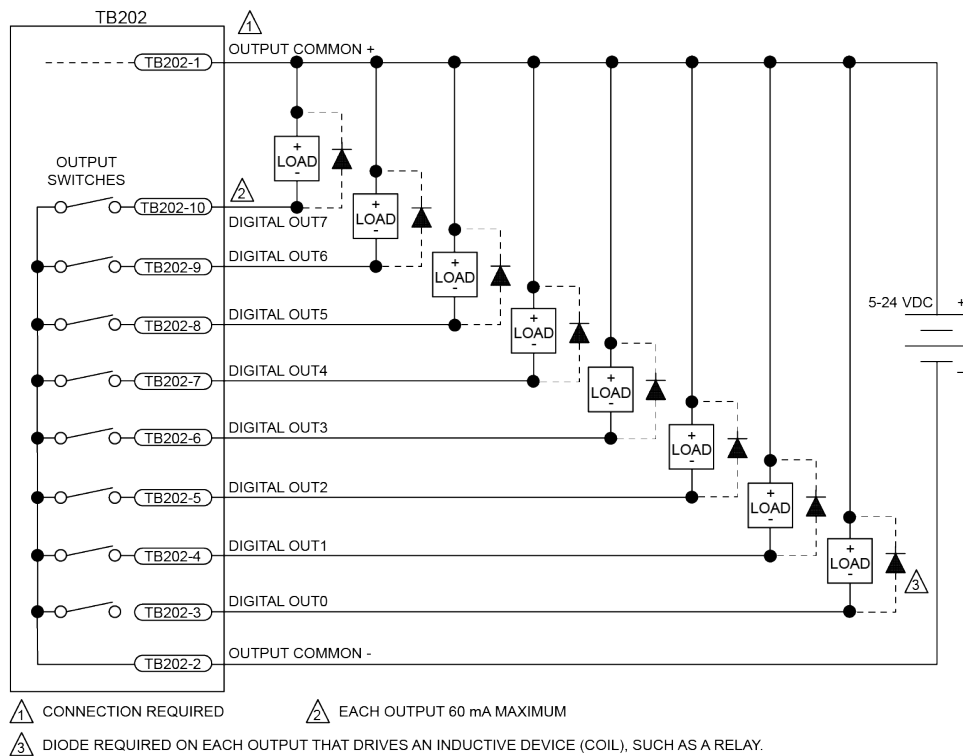


Figure 3-6: Outputs Connected in Current Sinking Mode (TB202/TB203)

3.3. Opto In Connectors (Digital Inputs) (TB204/TB205)

The digital inputs are opto-isolated and may be connected to current sourcing or current sinking devices, as shown in [Figure 3-8](#) and [Figure 3-9](#). These inputs are designed to connect to other ground-referenced circuits and are not intended for high-voltage isolation.

Port 1 and Port 2 inputs have separate common inputs (refer to [Table 3-14](#) for TB204 and [Table 3-15](#) for TB205). Each port can be referenced independently.

The opto-isolator's common connections can be directly connected to the drive's power supply; however, doing so will effectively defeat the isolation and will reduce noise immunity.

Table 3-13: Digital Input Device Specifications

Input Voltage	Approximate Input Current	Turn On Time	Turn Off Time
+5 V	1 mA	200 usec	2000 usec
+24 V	6 mA	4 usec	1500 usec

Table 3-14: Port 1 Opto In Connector Pinout (TB204)

Pin#	Description	In/Out/Bi
1	Digital Input Common for inputs 0 - 7	Input
2	Digital Input 0 (Optically-Isolated)	Input
3	Digital Input 1 (Optically-Isolated)	Input
4	Digital Input 2 (Optically-Isolated)	Input
5	Digital Input 3 (Optically-Isolated)	Input
6	Digital Input 4 (Optically-Isolated)	Input
7	Digital Input 5 (Optically-Isolated)	Input
8	Digital Input 6 (Optically-Isolated)	Input
9	Digital Input 7 (Optically-Isolated)	Input
10	Signal Common	N/A

Table 3-15: Port 2 Opto In Connector Pinout (TB205)

Pin#	Description	In/Out/Bi
1	Digital Input Common for inputs 0-7	Input
2	Digital Input 0 (Optically-Isolated)	Input
3	Digital Input 1 (Optically-Isolated)	Input
4	Digital Input 2 (Optically-Isolated)	Input
5	Digital Input 3 (Optically-Isolated)	Input
6	Digital Input 4 (Optically-Isolated)	Input
7	Digital Input 5 (Optically-Isolated)	Input
8	Digital Input 6 (Optically-Isolated)	Input
9	Digital Input 7 (Optically-Isolated)	Input
10	Internal +5 Volt Power Supply (0.5 A max)	N/A

Table 3-16: Mating Connector Part Numbers for the Opto In Connector (TB204/TB205)

	Aerotech P/N	Phoenix P/N	Wire Size: mm ² [AWG]
10-Pin Terminal Block	ECK01294	1881406	0.5-0.080 [20-28]

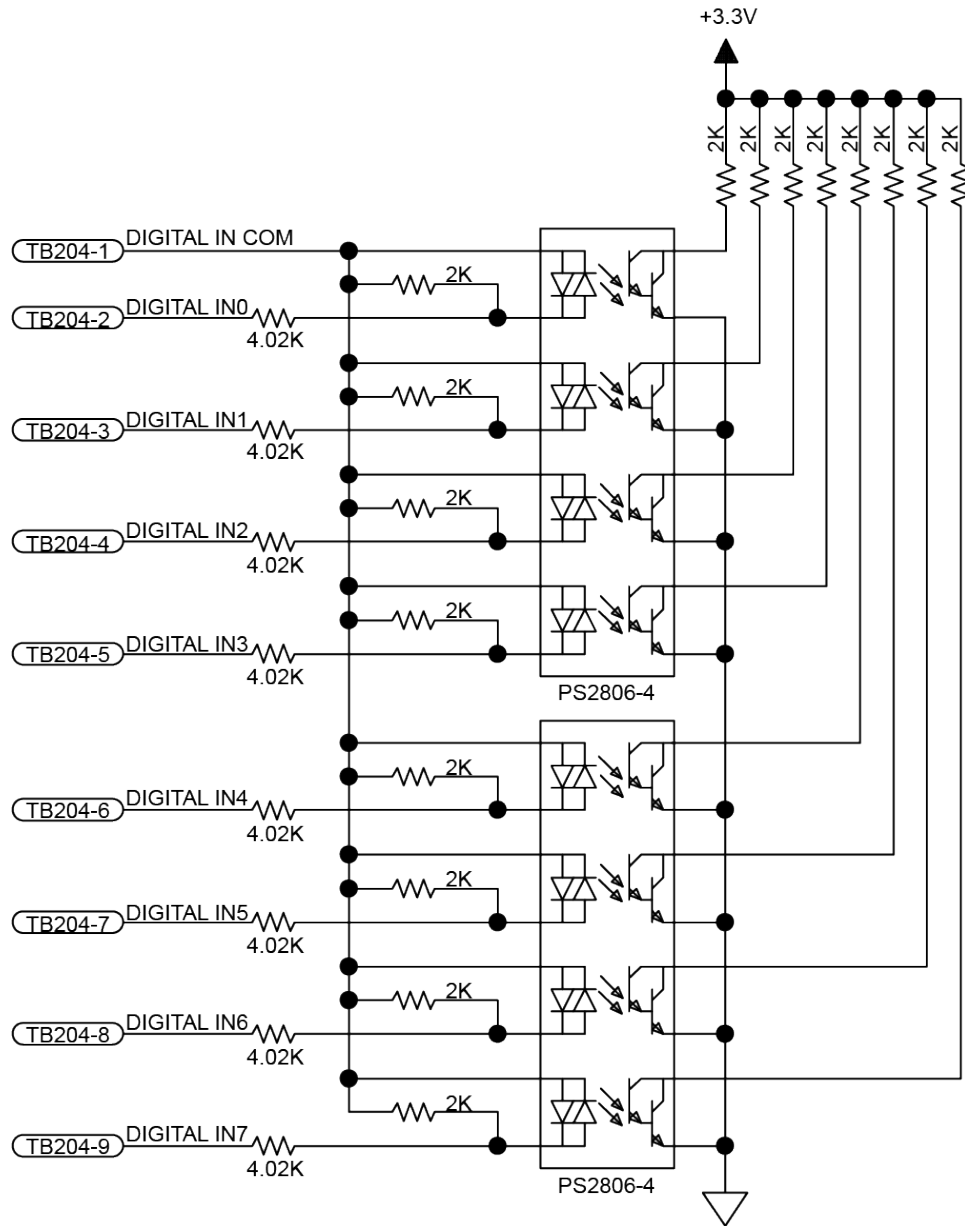


Figure 3-7: Digital Inputs

NOTE: Each bank of 8 Inputs must be connected in the all sourcing or all sinking configuration.

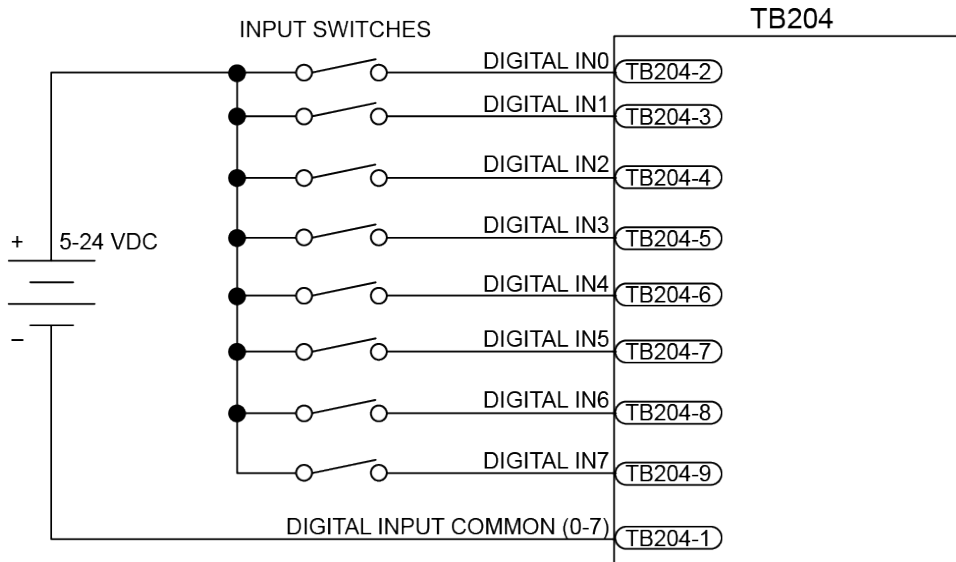


Figure 3-8: Inputs Connected to a Current Sourcing Device

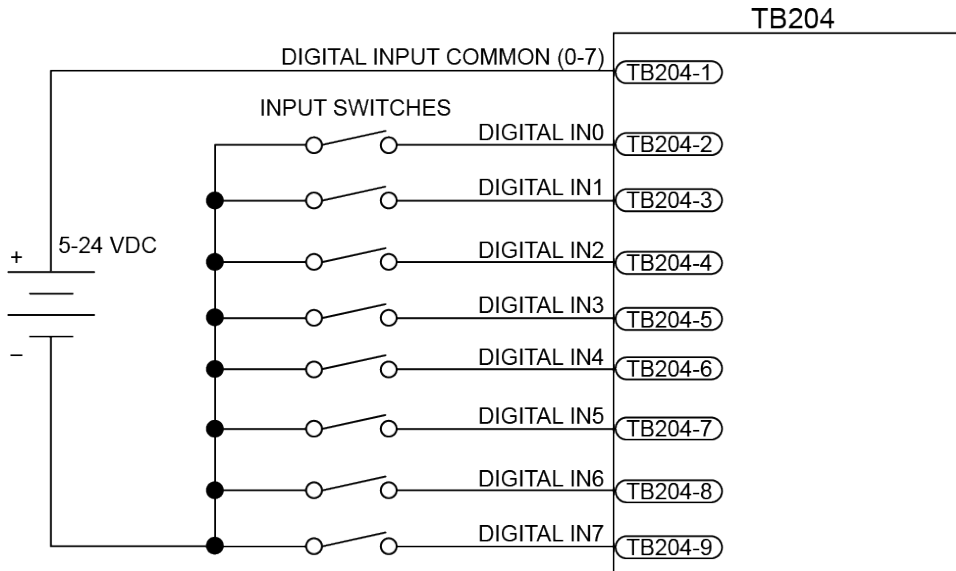


Figure 3-9: Inputs Connected to a Current Sinking Device

3.4. User Power (TB204, TB205)

A user accessible power supply (+5V at 0.5 A) is available between the TB205 +5V terminal and TB204 GND terminal.

Table 3-17: User Common Connector on the Opto In Connector (TB204)

Pin#	Description	In/Out/Bi
10	Signal Common	N/A

Table 3-18: +5 Volt Power Connector Pin on the Opto In Connector (TB205)

Pin#	Description	In/Out/Bi
10	Internal +5 Volt Power Supply (0.5 A max)	N/A

3.5. Relay Connector (TB206)

The relay can be used to automatically control a fail-safe brake on a vertical axis. It can also be used as a general purpose relay. The normally-open relay contacts are accessible through TB206 and the Motor Feedback (J103) connector. The normally-closed relay contact is only accessible through TB206 (see [Figure 3-11](#)). The Motor Feedback connector allows the brake wires to be included in the motor feedback cable and eliminate the need for a separate brake cable.

The brake output can be software configured; refer to the Soloist Help file for more information (see topics for the EnableBrakeControl parameter and the BRAKE command).

When TB206 is used to power the mechanical brake control relay, the solid state brake control relay (TB103) should not be used.

The user must verify that the application will be within the specifications of the Brake/Relay contacts.

Table 3-19: Voltage and Current Specifications (TB206)

Relay K1 Contact Ratings	
Maximum Switched Voltage	150 VDC, 125 VAC
Maximum Switched Current	1A
Maximum Carrying Current	1A
Maximum Switched Power	30 W (DC), 60 VA (AC)
NOTE: The maximum power that may be switched is voltage dependent.	
Initial Contact Resistance	50 milliohms max @ 10 mA, 6 VDC

NOTE: Do not exceed Maximum Current or Maximum Power specifications.

Table 3-20: Relay Connector Pinout (TB206)

Pin#	Description	In/Out/Bi
1	Brake Relay Output Normally Closed Contact	Output
2	Brake Relay Output Common Contact	Output
3	Brake Relay Output Normally Open Contact ⁽¹⁾	Output

(1) For JP1 jumper configuration, refer to [Table 1-1](#).

Table 3-21: Mating Connector Part Numbers for the Relay Connector (TB206)

Type	Aerotech P/N	Phoenix P/N	Wire Size: AWG [mm ²]
4-Pin Terminal Block	ECK01293	1881341	20-28 [0.5- 0.080]

The configuration of JP1 ([Table 3-22](#)) allows either the Brake + or the Brake - output to be switched by the relay and connected at the Motor Feedback connector or for the brake to be connected at TB206. Refer to [Section](#) for more information. JP1 is located on the -IO board (refer to [Figure 3-1](#)).

Table 3-22: -IO Expansion Board Brake Jumper Configuration

Jumper	Setting	Description
JP1	1-2, 3-4	Switch Brake +
	5-6, 7-8 ⁽¹⁾	Switch Brake -
	1-3	Relay Only
(1) default		

NOTE: The user is responsible for providing fuse protection for the brake circuit.

Figure 3-10 is an example of a +24 VDC Brake connected to the Motor Feedback connector. In this example the external +24 power source is connected to TB206. Note that JP1 is set 1-2 and 3-4 with all others removed.

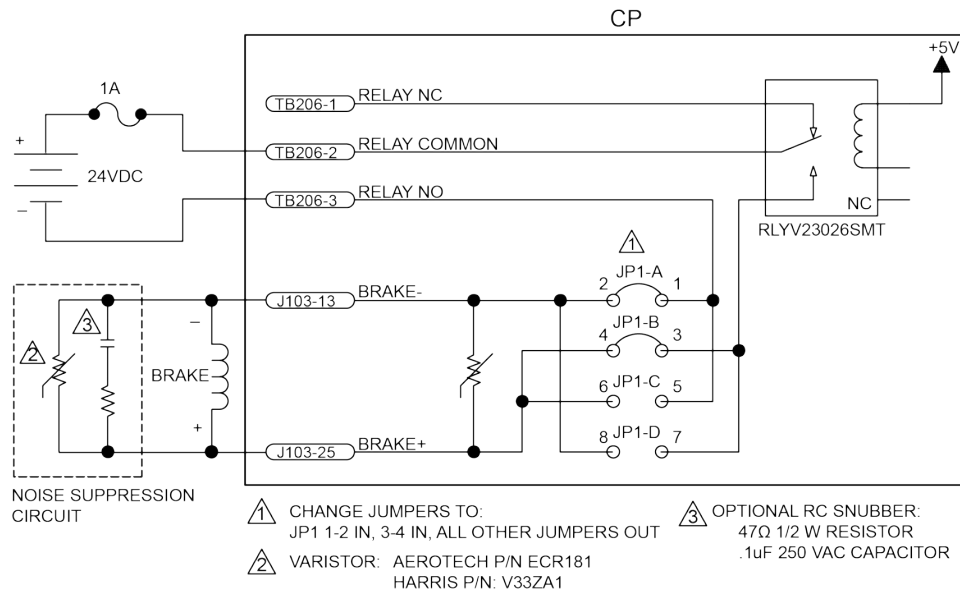


Figure 3-10: Brake Connected to J103

Figure 3-11 is an example of a +24 VDC Brake connected to TB206. In this example, JP1 must be set 1-3 and all other jumpers removed. Otherwise, the user must connect J103 pin 13 to J103 pin 25. In this case, J103 would function as an interlock to prevent the Brake from releasing if the Motor Feedback connector is not connected.

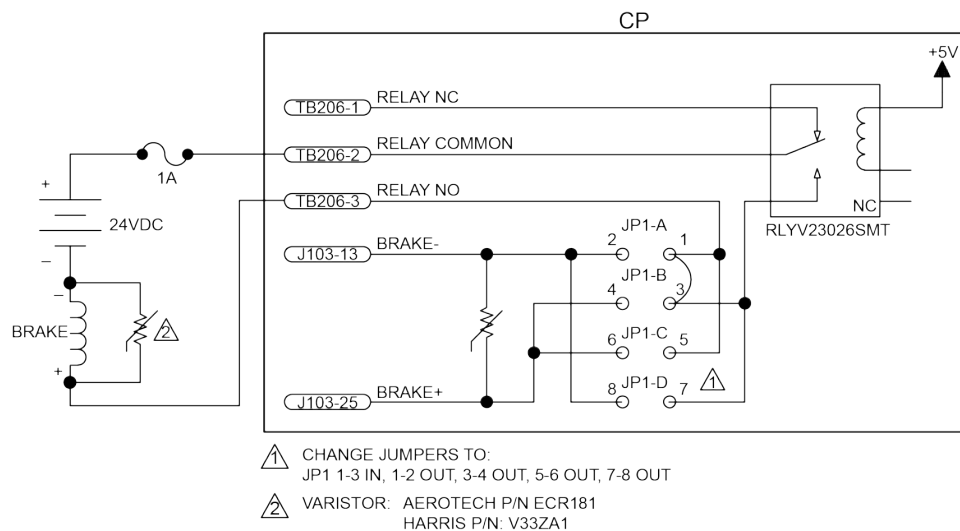


Figure 3-11: Brake Connected to TB206

Chapter 4: Standard Interconnection Cables

NOTE: A complete list of Aerotech cables can be found on the website at <http://www.aerotechmotioncontrol.com/manuals/index.aspx>.

Table 4-1: Standard Interconnection Cables

Cable Part #	Description
Joystick	See Section 4.1 .
ECZ01231	BBA32 Interconnect Cable
(1) The “-xx” indicates length in decimeters. “-yy” would indicate length in feet.	

4.1. Joystick Interface

Aerotech joysticks JI (NEMA12 (IP54) rated) and JBV are powered from 5V and have a nominal 2.5V output in the center detent position. Three buttons are used to select axis pairs and speed ranges. An optional interlock signal is used to indicate to the controller that the joystick is present. Joystick control will not activate unless the joystick is in the center location. Third party devices can be used provided they produce a symmetric output voltage within the range of -10V to +10V.

The following drawings illustrate how to connect a single- or two-axis joystick (a two-axis joystick requires two Soloist CPs). For cable details refer to [Table 4-2](#). Refer to the Soloist Help file for programming information about how to change joystick parameters (see the Joystick.ab example).

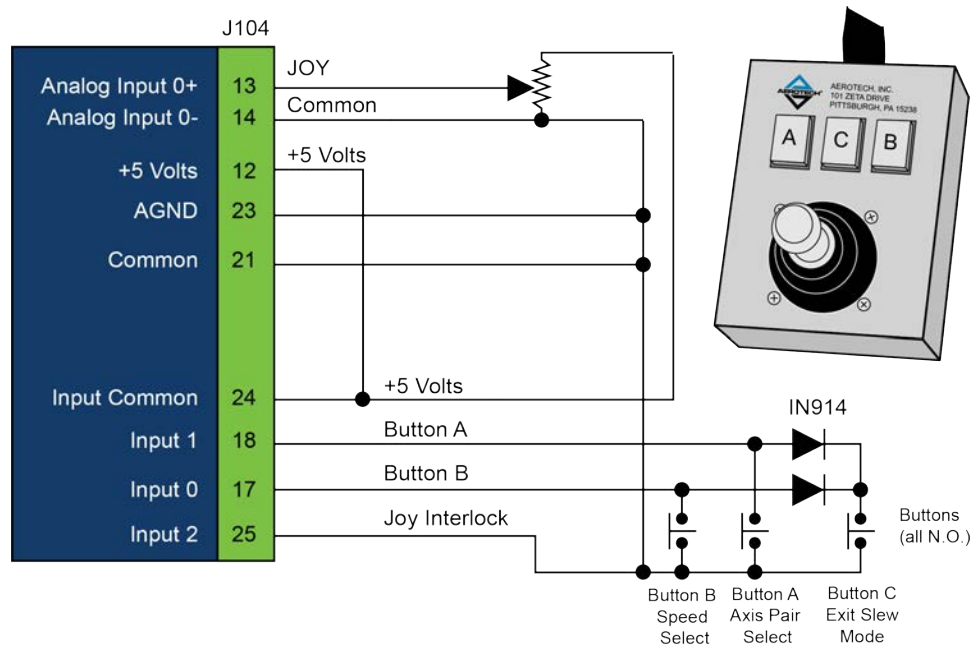


Figure 4-1: Single Axis Joystick Interface (to Aux I/O)

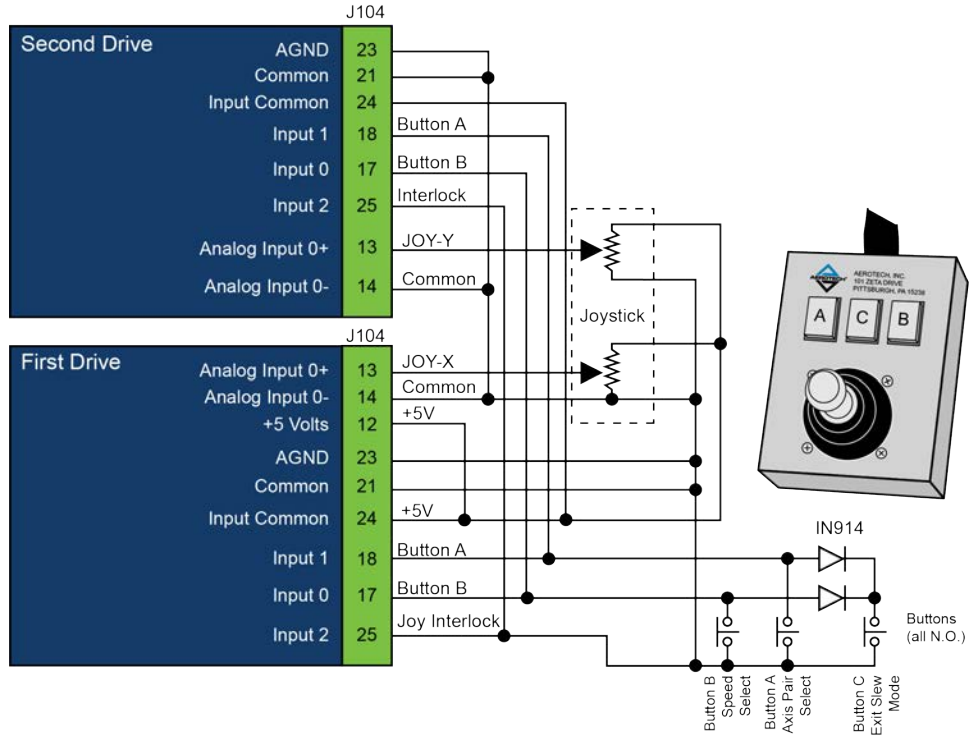


Figure 4-2: Two Axis Joystick Interface (to the Aux I/O of two drives)

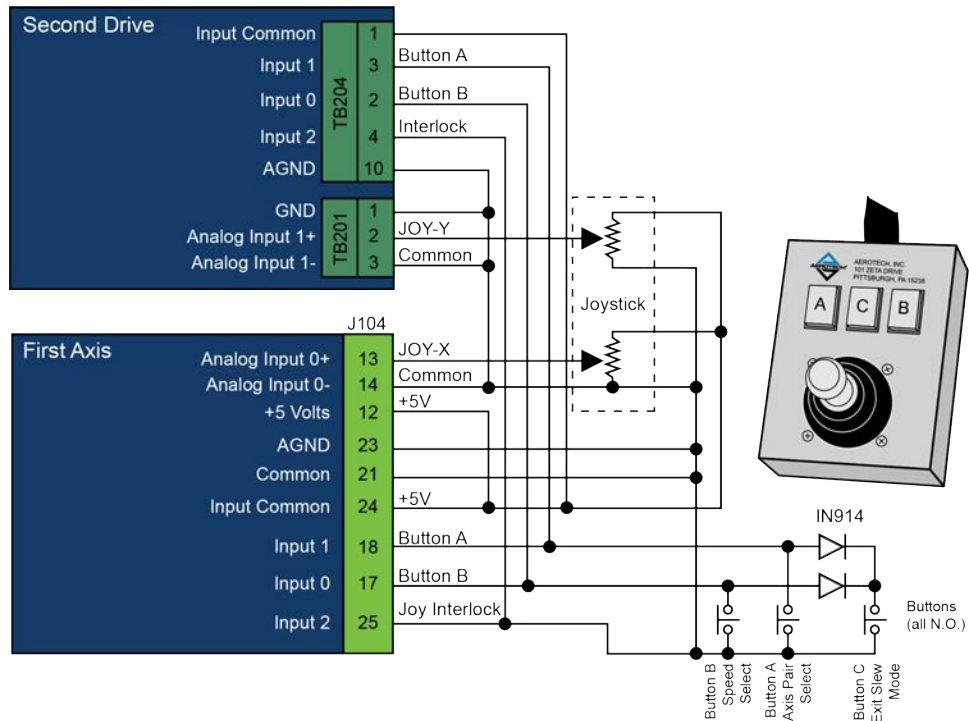


Figure 4-3: Two Axis Joystick Interface (to the Aux I/O and I/O Board)

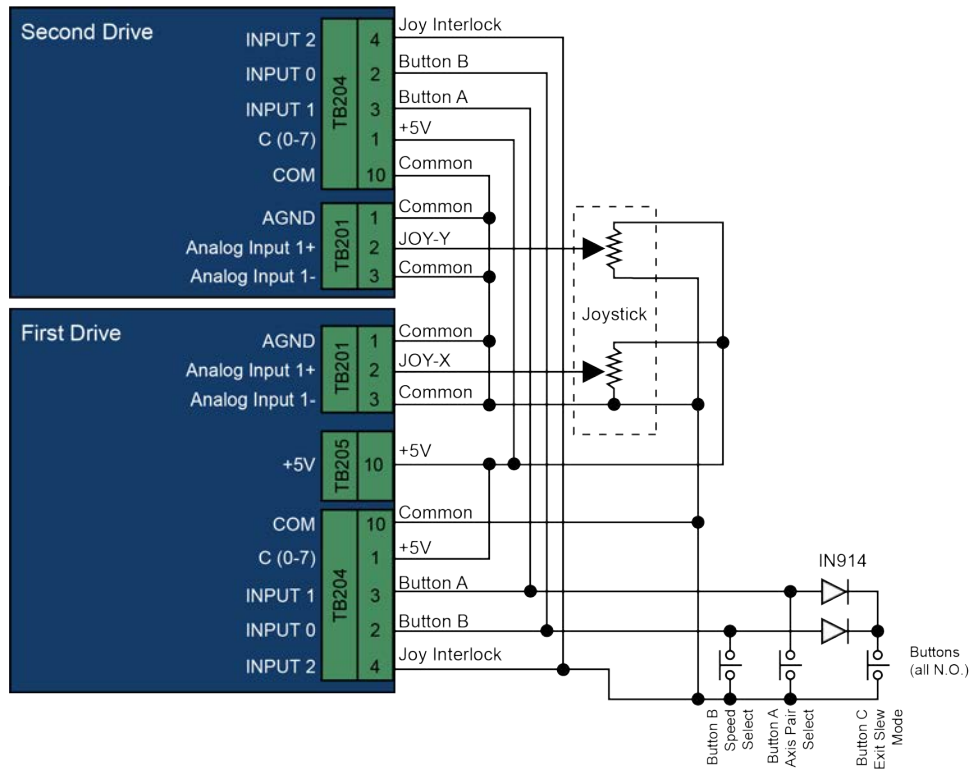


Figure 4-4: Two Axis Joystick Interface (to the I/O board of two drives)

Table 4-2: Cable Part Numbers

Part #	Cable Description	UPC #
C22763-XX	JSXT-FLY 26HD-15DU-MAX300DM SOLOISTCP DUAL AXIS	630B2276-3
C22764-XX	JSXT-26HD-15DU-MAX300DM SOLOISTCP SINGLE AXIS	630B2276-4
C22765-XX	JSXT-26HD 26HD-15DU-MAX300DM SOLOISTCP DUAL AXIS	630B2276-5
C227617XX	JSXT-FLY FLY-15DU-MAX300DM SOLOISTCP DUAL AXIS	630B2276-17

4.2. Handwheel Interface

A handwheel (such as the Aerotech HW-xxx-xx) can be used to manually control axis position. The handwheel must provide 5V differential quadrature signals to the Soloist CP.

A handwheel can be connected to the Aux I/O as shown in Figure 4-5 or Figure 4-6.

NOTE: See the Soloist Help file for information on enabling the handwheel.

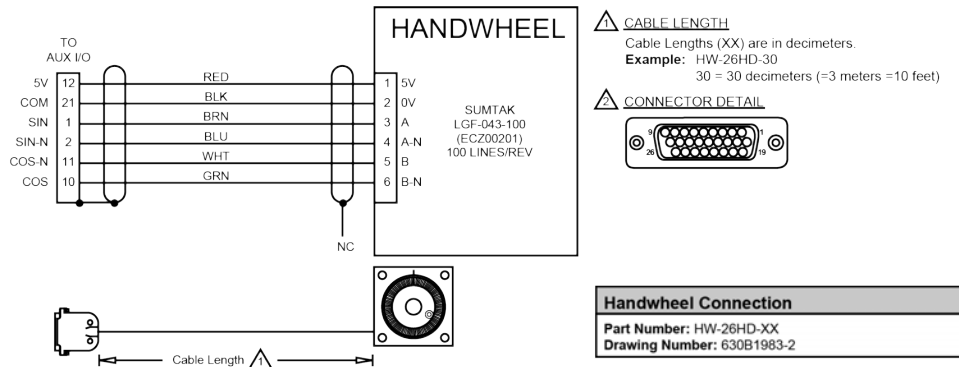


Figure 4-5: Handwheel Interconnection (to Aux I/O)

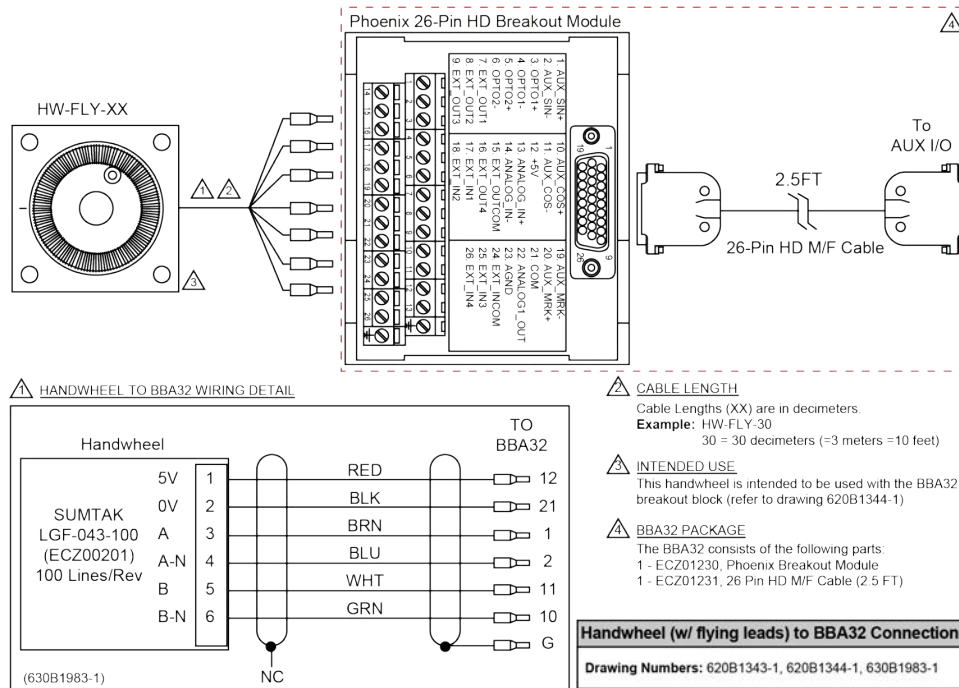


Figure 4-6: Handwheel Interconnection (to Aux I/O via a BBA32 Module)

This page intentionally left blank.

Chapter 5: Maintenance



DANGER: Always disconnect the Mains power connection before opening the Soloist CP chassis.



DANGER: Before performing any tests, be aware of lethal voltages inside the controller and at the input and output power connections. A qualified service technician or electrician should perform these tests.

Table 5-1: LED Description

LED	Description
ENB/FLT	Turns green to indicate that the axis is enabled. Turns red to indicate a fault condition. The ENB/FLT LED will flash between RED and GREEN if the drive is enabled and in a fault condition.
MARKER	Turns green to indicate that the marker input is high.
PWR*	Turns green when power is applied.
POS	Turns green to indicate that the axis is in position.
* If the power light flashes continuously and the unit does not operate, there is too much current draw from the 5V power supply or the control supply voltage level is low.	

5.1. Control Board



DANGER: Always disconnect the Mains power connection before opening the Soloist CP chassis.

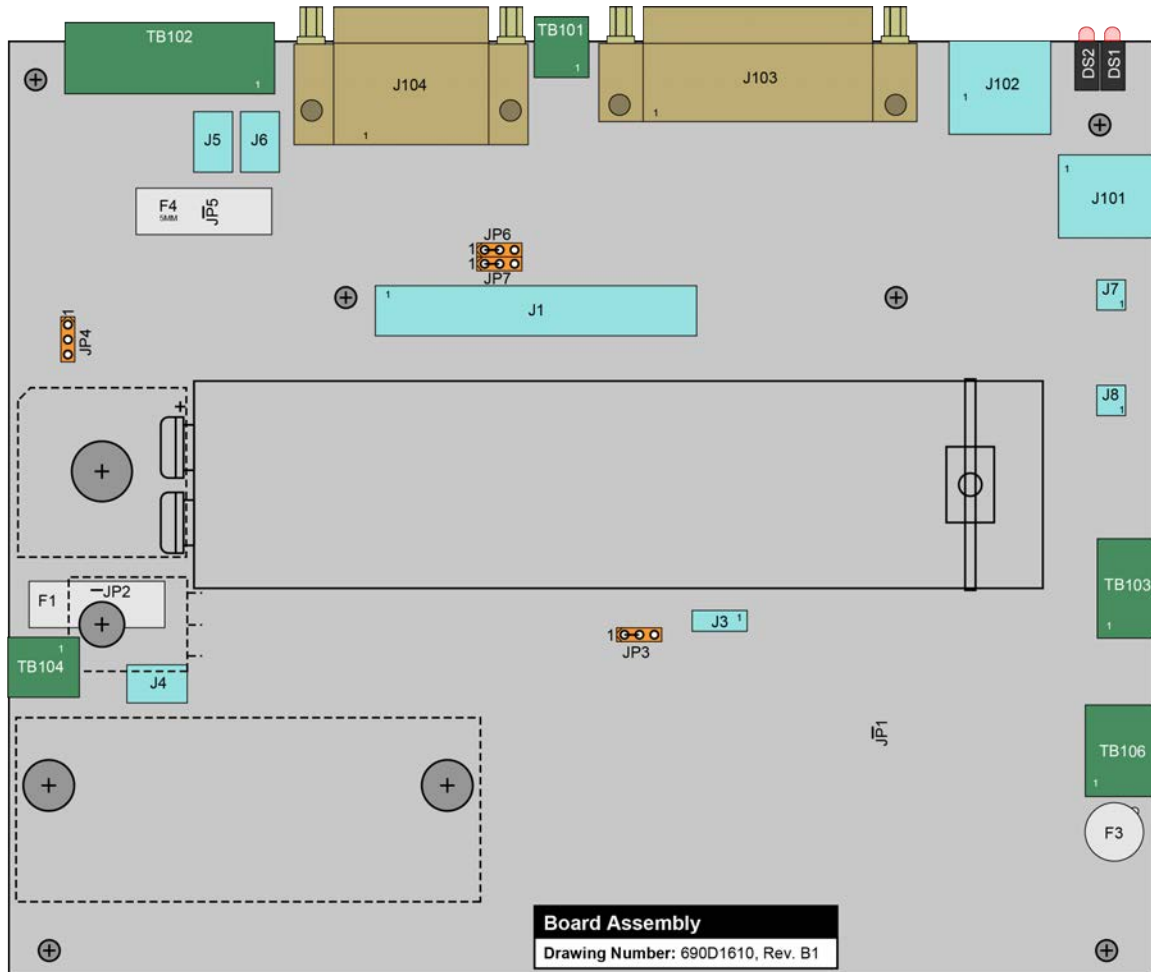


Figure 5-1: Control Board Assembly

Table 5-2: Control Board Jumper Configuration

Jumper	Setting	Description
JP3	1-2 ⁽¹⁾	Watchdog enabled
	2-3	Watchdog disabled
JP4	1-2 ⁽¹⁾	No shunt option present
	2-3	Shunt option present
JP6	1-2 ⁽¹⁾	24 V operation (High Speed Input 4)
	2-3	5 V operation (High Speed Input 4)
JP7	1-2 ⁽¹⁾	24 V operation (High Speed Input 5)
	2-3	5 V operation (High Speed Input 5)

1. Default

Table 5-3: Control Board Fuse Information

Fuse	Description	Size	Aerotech P/N	Manufacturer's P/N
F1	-S Option Shunt Fuse	1 A S.B. (5 mm)	EIF01052	Littelfuse 215001.P
	-EXTSHUNT Option Shunt Fuse	2.5 A S.B.	EIF01053	Littelfuse 21502.5P
F3	Control Power Fuse	2 A S.B.	EIF01029	Littelfuse 3721200041
F4	Soloist CP 10; VAC Input at TB102-1	5 A S.B. (5 mm)	EIF01023	Littelfuse 215005.P
	SoloistCP 20; VAC Input at TB102-1	10 A S.B. (5 mm)	EIF01006	Littelfuse 218010
	SoloistCP 30; VAC Input at TB102-1	10 A S.B. (5 mm)	EIF01006	Littelfuse 218010

Table 5-4: LED Description

LED	Description
ENB/FLT	Turns green to indicate that the axis is enabled. Turns red to indicate a fault condition. The ENB/FLT LED will flash between RED and GREEN if the drive is enabled and in a fault condition.
MARKER	Turns green to indicate that the marker input is high.
PWR*	Turns green when power is applied.
POS	Turns green to indicate that the axis is in position.

* If the power light flashes continuously and the unit does not operate, there is too much current draw from the 5V power supply or the control supply voltage level is low.

5.2. Preventative Maintenance

The Soloist CP and external wiring should be inspected monthly. Inspections may be required at more frequent intervals, depending on the environment and use of the system.



DANGER: To minimize the possibility of bodily injury or death, disconnect all electrical power prior to performing any maintenance or making adjustments to the equipment.

Table 5-5: Preventative Maintenance

Check	Action to be Taken
Visually Check chassis for loose or damaged parts / hardware. Note: Internal inspection is not required.	Parts should be repaired as required. If internal damage is suspected, these parts should be checked and repairs made if necessary.
Inspect cooling vents.	Remove any accumulated material from vents.
Check for fluids or electrically conductive material exposure.	Any fluids or electrically conductive material must not be permitted to enter the Soloist CP.
Visually inspect all cables and connections.	Tighten or re-secure any loose connections. Replace worn or frayed cables. Replace broken connectors.

Cleaning

The Soloist CP chassis can be wiped with a clean, dry, soft cloth. The cloth may be slightly moistened if required with water or isopropyl alcohol to aid in cleaning if necessary. In this case, be careful not to allow moisture to enter the Soloist CP or onto exposed connectors / components. Fluids and sprays are not recommended because of the chance for internal contamination, which may result in electrical shorts and/or corrosion. The electrical power must be disconnected from the Soloist CP while cleaning. Do not allow cleaning substances or other fluids to enter the Soloist CP or to get on to any of the connectors. Avoid cleaning labels to prevent removing the label information.

Appendix A: Warranty and Field Service

Aerotech, Inc. warrants its products to be free from harmful defects caused by faulty materials or poor workmanship for a minimum period of one year from date of shipment from Aerotech. Aerotech's liability is limited to replacing, repairing or issuing credit, at its option, for any products that are returned by the original purchaser during the warranty period. Aerotech makes no warranty that its products are fit for the use or purpose to which they may be put by the buyer, whether or not such use or purpose has been disclosed to Aerotech in specifications or drawings previously or subsequently provided, or whether or not Aerotech's products are specifically designed and/or manufactured for buyer's use or purpose. Aerotech's liability on any claim for loss or damage arising out of the sale, resale, or use of any of its products shall in no event exceed the selling price of the unit.

THE EXPRESS WARRANTY SET FORTH HEREIN IS IN LIEU OF AND EXCLUDES ALL OTHER WARRANTIES, EXPRESSED OR IMPLIED, BY OPERATION OF LAW OR OTHERWISE. IN NO EVENT SHALL AEROTECH BE LIABLE FOR CONSEQUENTIAL OR SPECIAL DAMAGES.

Return Products Procedure

Claims for shipment damage (evident or concealed) must be filed with the carrier by the buyer. Aerotech must be notified within thirty (30) days of shipment of incorrect material. No product may be returned, whether in warranty or out of warranty, without first obtaining approval from Aerotech. No credit will be given nor repairs made for products returned without such approval. A "Return Materials Authorization (RMA)" number must accompany any returned product(s). The RMA number may be obtained by calling an Aerotech service center or by submitting the appropriate request available on our website (www.aerotech.com). Products must be returned, prepaid, to an Aerotech service center (no C.O.D. or Collect Freight accepted). The status of any product returned later than thirty (30) days after the issuance of a return authorization number will be subject to review.

Visit <https://www.aerotech.com/global-technical-support.aspx> for the location of your nearest Aerotech Service center.

Returned Product Warranty Determination

After Aerotech's examination, warranty or out-of-warranty status will be determined. If upon Aerotech's examination a warranted defect exists, then the product(s) will be repaired at no charge and shipped, prepaid, back to the buyer. If the buyer desires an expedited method of return, the product(s) will be shipped collect. Warranty repairs do not extend the original warranty period.

Fixed Fee Repairs - Products having fixed-fee pricing will require a valid purchase order or credit card particulars before any service work can begin.

All Other Repairs - After Aerotech's evaluation, the buyer shall be notified of the repair cost. At such time the buyer must issue a valid purchase order to cover the cost of the repair and freight, or authorize the product(s) to be shipped back as is, at the buyer's expense. Failure to obtain a purchase order number or approval within thirty (30) days of notification will result in the product(s) being returned as is, at the buyer's expense.

Repair work is warranted for ninety (90) days from date of shipment. Replacement components are warranted for one year from date of shipment.

Rush Service

At times, the buyer may desire to expedite a repair. Regardless of warranty or out-of-warranty status, the buyer must issue a valid purchase order to cover the added rush service cost. Rush service is subject to Aerotech's approval.

On-site Warranty Repair

If an Aerotech product cannot be made functional by telephone assistance or by sending and having the customer install replacement parts, and cannot be returned to the Aerotech service center for repair, and if Aerotech determines the problem could be warranty-related, then the following policy applies:

Aerotech will provide an on-site Field Service Representative in a reasonable amount of time, provided that the customer issues a valid purchase order to Aerotech covering all transportation and subsistence costs. For warranty field repairs, the customer will not be charged for the cost of labor and material. If service is rendered at times other than normal work periods, then special rates apply.

If during the on-site repair it is determined the problem is not warranty related, then the terms and conditions stated in the following "On-Site Non-Warranty Repair" section apply.

On-site Non-Warranty Repair

If any Aerotech product cannot be made functional by telephone assistance or purchased replacement parts, and cannot be returned to the Aerotech service center for repair, then the following field service policy applies:

Aerotech will provide an on-site Field Service Representative in a reasonable amount of time, provided that the customer issues a valid purchase order to Aerotech covering all transportation and subsistence costs and the prevailing labor cost, including travel time, necessary to complete the repair.

Service Locations

<http://www.aerotech.com/contact-sales.aspx?mapState=showMap>

USA, CANADA, MEXICO	CHINA	GERMANY
Aerotech, Inc. Global Headquarters Phone: +1-412-967-6440 Fax: +1-412-967-6870	Aerotech China Full-Service Subsidiary Phone: +86 (21) 5508 6731	Aerotech Germany Full-Service Subsidiary Phone: +49 (0)911 967 9370 Fax: +49 (0)911 967 93720
TAIWAN	UNITED KINGDOM	
Aerotech Taiwan Full-Service Subsidiary Phone: +886 (0)2 8751 6690	Aerotech United Kingdom Full-Service Subsidiary Phone: +44 (0)1256 855055 Fax: +44 (0)1256 855649	

Have your customer order number ready before calling.

Appendix B: Revision History

Revision	Description
4.09.00	The following sections have been updated: <ul style="list-style-type: none"> Section 2.8. -EXTSHUNT Option (TB104)
4.08.00	
4.07.00	
4.05.00	
4.04.00	
4.03.00	
4.02.00	
4.01.00	
4.00.00	
2.03.00	
2.02.00	
2.01.00	
2.00.00	
1.11a	Revision changes have been archived. If you need a copy of this revision, contact Aerotech Global Technical Support.
1.11	
1.10a	
1.09	
1.08	
1.07	
1.06	
1.05	
1.04	
1.03	
1.02	
1.01	
1.00	

This page intentionally left blank.

Index

-		Analog Input	72
-I/O Expansion Board	81	Analog Input (I/O Board)	84
-IO Board Fuse Information	81	Analog Input 1 Connector	84
-IO Expansion Board Brake Jumper Configuration	93	Analog Input Connector Pin Assignment	72
-IO Expansion Board Jumper Configuration	81	Analog Inputs Connector Pin Assignment	84
-IO Option Board	81	Analog Output	71
-IO Options	81	Analog Output 1 Connector	83
-MXU Option	46,48	Analog Output 1 Connector Pin Assignment	83
		Analog Outputs (I/O Board)	83
		Auxiliary Encoder Channel	62-63
		Auxiliary Encoder Channel Pin Assignment	62,64
+5 Volt Power Connector Pin Assignment	92	Auxiliary I/O Connector	61
		Auxiliary I/O Connector Pin Assignment	61
		B	
1		Brake / Mechanical Relay	93
160 Volt DC Bus from 115 and 230 VAC Source (TV0.3-56)	33	Brake / Mechanical Relay Connector Pin Assignment	93
		Brake Connected to J103	94
2		Brake Connected to J207	74
2014/30/EU	9	Brake Connected to TB20	75
2014/35/EU	9	Brake Connected to TB206	94
		Brake Output	58
4		Brake Output Connector Pin Assignment	73
40 VDC Motor Power with a TV0.3-28-56-ST Transformer	29	Brake Output Pin Assignment	58
40 Volt DC Bus from 115 and 230 VAC Source	31	Brake Power Supply	73
		Brushless Motor Connections	37
8		Brushless Motor Phasing Goal	39
80 VDC Motor Power with a TV0.3-28-56-ST Transformer	30		
80 Volt DC Bus from 115 and 230 VAC Source (TV0.3-56)	32	C	
		Check chassis for loose or damaged parts / hardware	104
A		Check for fluids or electrically conductive material exposure	104
AC Line Filter	27,35	Cleaning	104
Altitude	23	Continuous Output Current specifications	19
Ambient Temperature	23		
amplifier power dissipation	21		
Analog Encoder Phasing Reference Diagram	48		
Analog Encoder Specifications	48		

Control and Motor Power Wiring using a TM3 or TM5 Transformer	34	Encoder Phasing	50
Control Board	102	Encoder Phasing Reference Diagram	50
Control Board Assembly	102	End of Travel Limit Input Connections	55
Control Board Fuse Information	103	End Of Travel Limit Input Interface (J207)	55
Control Board Jumper Configuration	103	End of Travel Limit Input Interface Pin Assignment	55
Control Supply AC Input Wiring	26	End of Travel Limit Interface Input	56
Control Supply Connections	26	End Of Travel Limit Phasing	57
Control Supply Mating Connector	26	EnDat absolute encoder	47
Control Supply specifications	19	EnDat Encoder Interface	47
D		Environmental Specifications	23
DC Brush Motor Connections	40	external emergency stop relay circuit	60
DC Brush Motor Phasing	41	G	
Declaration of Conformity	9	Global Technical Support	2
Digital Input Connector Pin Assignment	68	H	
Digital Input Specifications	89	Hall-Effect Feedback Interface Pin Assignment	52
Digital Output Connector Pin Assignment	66	Hall-Effect Inputs	52
Digital Output Specifications	66	Hall-Effect Interface	52
dimensions	22	Handwheel Interconnection	99
Drive and Software Compatibility	18	Handwheel Interface	99
E		High Speed Digital Input Connector Pin Assignment	70
Efficiency of Power Amplifier specifications	19	High Speed User Inputs	70
Electrical Specifications	19	Humidity	23
Emergency Stop Sense Input	59	I	
EN 61800-3	9	Input Voltage Jumper Configuration	70
encoder		Inputs Connected in Current Sinking Mode	69
absolute	47	Inputs Connected in Current Sourcing Mode	69
Encoder and Hall Signal Diagnostics	38	Inputs Connected to a Current Sinking Device	91
Encoder Fault Interface (J207)	54	Inputs Connected to a Current Sourcing Device	91
Encoder Fault Interface Input	54	inspect all cables and connections	104
Encoder Fault Interface Pin Assignment	54	Inspect cooling vents	104
Encoder Interface (J207)	45	Inspection	104
Encoder Interface Pin Assignment	45		

Installation and Configuration	25	Opto-Isolated Outputs	66,85
Internal shunt resistor network	16	Opto-Isolated Outputs (-IO Board)	87
Isolation	19	Output Specifications	85
J			
J103	44-47,49,52-56,58,74-75,94	Output Voltage specifications	19
J104	61-62,64,66-72	Outputs Connected in Current Sinking Mode	67,88
Joystick Interface	96	Outputs Connected in Current Sourcing Mode	67,88
L			
Limit Input Diagnostic Display	57	P	
Line Driver Encoder Interface	46	PC Configuration and Operation Information	79
M			
Mating Connector	73	Peak Output Current specifications	19
Maximum Additional Storage Energy	78	Pollution	23
Mechanical Design	22	Position Feedback in the Diagnostic Display	51
Minimizing Conducted, Radiated, and System Noise	35	Position Synchronized Output (PSO)/Laser Firing	64
Minimum Load Inductance specifications	19	Power Amplifier Bandwidth specifications	19
Modes of Operation	19	Power Dissipation	21
Motor Feedback Connections	44	Powered Motor Phasing	38
Motor Feedback Connector Pin Assignment	44	Preventative Maintenance	104
Motor Phasing Oscilloscope Example	39	Protective Features	19
Motor Supply Connections	27	PS2806-4 Opto-Device Specifications	68
Motor Supply Input Wiring	35	PSO Interface	65
Motor Supply specifications	19	PSO Output Sources	64
N			
Nominal Motor Operating Voltages / Required AC Voltages	28	PWM Switching Frequency specifications	19
O			
optional joysticks	96	Q	
Options	16	Quick Installation Guide	13
Opto-Isolated Input Connector Pin Assignment	89	R	
Opto-Isolated Inputs	68,89-90	Relay Specifications	73
Opto-Isolated Output Connector Pin Assignment	86	Resolute absolute encoder	47
S			
		RS-232 Connector Pin Assignment	76
		RS-232 Interface	76
		RS-232 Port Connector Mating Connector	76
		RS-422 Line Driver Encoder (Standard)	46
		serial data stream	47

shunt	16	Unpowered Motor and Feedback Phasing	39
Single Axis Joystick Interface	96	Use	23
solid state brake control relay	73	User Common Connector Pin Assignment	92
Standard Features	16	User Power	92
Stepper Motor Connections	42	User Power Supply specifications	19
Stepper Motor Phasing	43		
Support	2	V	
		Voltage and Current Specifications	93
T		W	
TB101	59	Wire Colors for Supplied Cables	37,40,42
TB102	27,36	Wiring	
TB103	73-76,93	Control Supply	26
TB104	77		
TB106	26		
TB201	82-84		
TB204	92		
TB205	92		
TB206	93-94		
Technical Support	2		
Thermistor Interface	53		
Thermistor Interface Input	53		
Transformer Examples	28		
Transformer Options	28		
TV0.3-28-56-ST Transformer	30		
TV0.3-56	33		
two-axis joystick	96		
Two Axis Joystick Interface	97		
Typical Emergency Stop Circuit	60		
Typical ESTOP Interface	60		
		U	
UFM-ST	35		
unit separation	22		
unit weight	22		